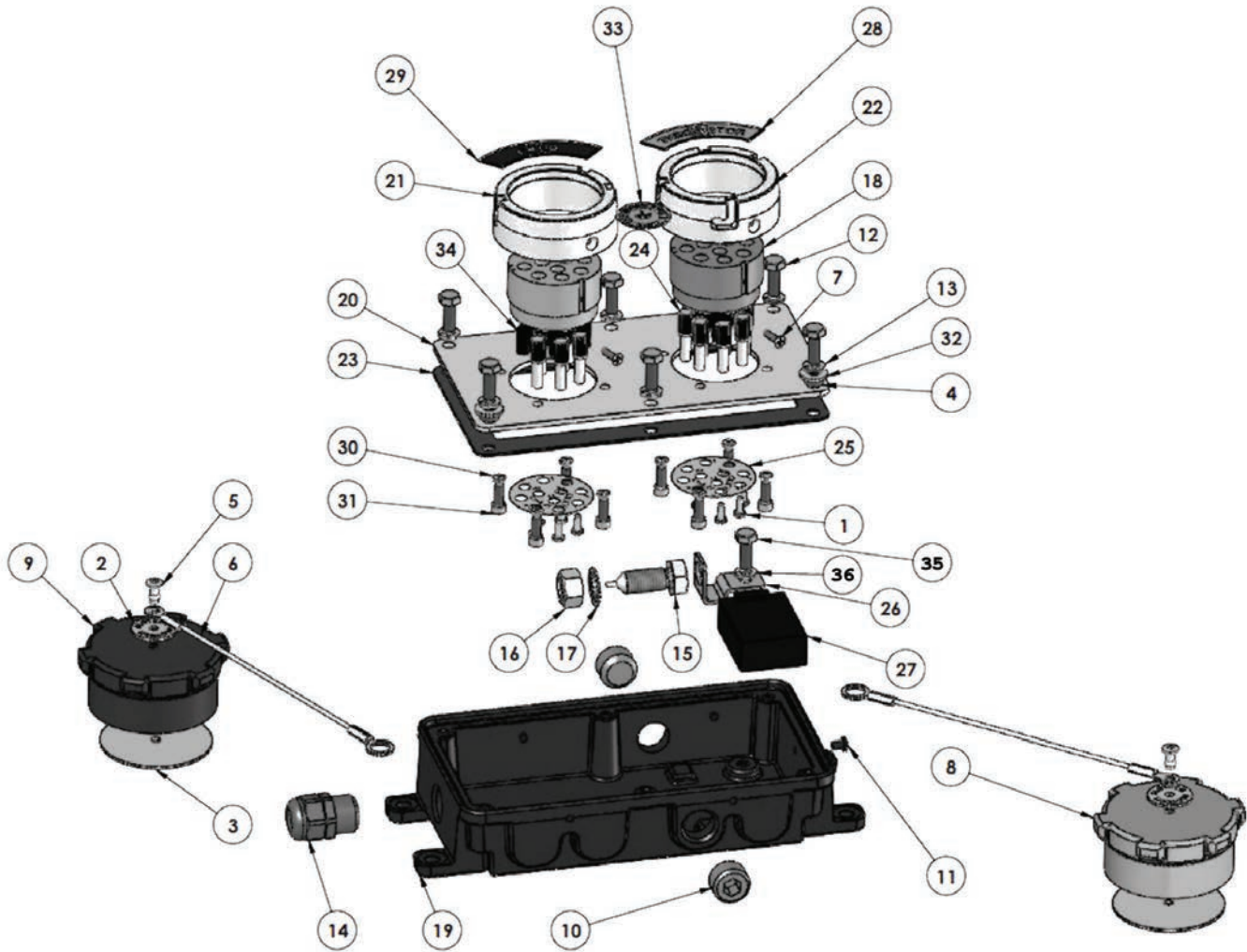


# FT390/FT391 Series EZ-Cept Double Sockets



## FT390/FT391 Series EZ-Cept Double Sockets

## Bill of Materials

Item #	Description	Part #	FT390	FT390V	FT390G	FT390GT	FT390T	FT390-20	FT390G-20	FT391	FT391V
1	stainless steel screw	<b>10086</b>	16	16	16	16	16	16	16	16	16
2	aluminum name plate - socket washer	use kit <b>FT320 or FT321</b>	2	2	2	2	2	2	2	2	2
3	aluminum washer 2.500 x .0625	use kit <b>FT320 or FT321</b>	2	2	2	2	2	2	2	2	2
4	stainless steel spacer	<b>10089</b>	2	2	2	2	2	2	2	2	2
5	aluminum rivet .1875	use kit <b>FT320 or FT321</b>	2	2	2	2	2	2	2	2	2
6	stainless steel cable - socket 8"	use kit <b>FT320 or FT321</b>	2	2	2	2	2	2	2	2	2
7	stainless steel screw - contact block	<b>10094</b>	2	2	2	2	2	2	2	2	2
8	vinyl dust cap - thermistor (green)	use kit <b>FT321</b>	1	1	1	1	1	1	1	1	1
9	vinyl dust cap - optic (blue)	use kit <b>FT320</b>	1	1	1	1	1	1	1	1	1
10	polypropylene pipe plug	<b>10103</b>	2	2	2	2	2	2	2	2	2
11	steel screw - plug	<b>10105</b>	3	3	3	3	3	3	3	3	3
12	stainless steel screw	<b>10110</b>	6	6	6	6	6	6	6	6	6
13	stainless steel lock washer - 1/4"	<b>10111</b>	6	6	6	6	6	6	6	6	6
14	polyamide strain relief	<b>10139</b>	1	1	1	1	1	1	1	1	1
15	stainless steel ground bolt	<b>10223</b>	n/a	n/a	1	1	n/a	n/a	1	n/a	n/a
16	stainless steel nut - ground bolt 1/2"-13	<b>10224</b>	n/a	n/a	1	1	n/a	n/a	1	n/a	n/a
17	stainless steel lock washer internal tooth	<b>10225</b>	n/a	n/a	1	1	n/a	n/a	1	n/a	n/a
18A	optic contact block	<b>10690PL-001</b>	1	1	1	1	1	1	1	1	1
18B	thermistor contact block	<b>10690PL-002</b>	1	1	1	1	1	1	1	1	1
19	aluminum box - dual socket	<b>10364AL-001</b>	1	1	1	1	1	1	1	1	1
20	aluminum faceplate - dual socket	<b>10365AL</b>	1	1	1	1	1	1	1	1	1
21	stainless steel wear ring - 3 J Slot	<b>10366SS-002</b>	1	1	1	1	1	1	1	n/a	n/a
22	stainless steel wear ring - 3 J Slot	<b>10366SS-001</b>	1	1	1	1	1	1	1	2	2
23	stainless steel wear ring - 4 J Slot	<b>10367CK</b>	1	1	1	1	1	1	1	1	1
24	stainless steel socket pin - short	<b>10368SS (was FT9061)</b>	16	16	16	16	16	16	16	16	16
25	vinyl label - socket contact	<b>10369VY</b>	2	2	2	2	2	2	2	2	2
26	stainless steel bracket - ground bolt	<b>10370SS</b>	1	1	1	1	1	1	1	1	1
27	T.I.M. Module	<b>10372</b>	n/a	n/a	n/a	1	1	n/a	n/a	n/a	n/a
28	aluminum name plate - thermistor	<b>10373AL</b>	1	1	1	1	1	1	1	1	1
29	aluminum name plate - optic	<b>10374AL</b>	1	1	1	1	1	1	1	1	1
30	stainless steel lock washer	<b>10375SS</b>	8	8	8	8	8	8	8	8	8
31	stainless steel screw	<b>10376SS</b>	8	8	8	8	8	8	8	8	8
32	stainless steel washer	<b>10382SS</b>	2	2	2	2	2	2	2	2	2
33	ground bolt label	<b>10621AL</b>	n/a	n/a	1	1	n/a	n/a	1	n/a	n/a
34	plastic black button insert	<b>BLACK BUTTON INSERT</b>	6	6	6	6	6	6	6	6	6
35A	stainless steel screw	<b>10110</b>	n/a	n/a	n/a	1	1	n/a	n/a	n/a	n/a
35B	stainless steel screw	<b>10377SS</b>	1	1	1	n/a	n/a	1	1	1	1
36	stainless steel lock washer - 1/4"	<b>10111</b>	1	1	1	1	1	1	1	1	1
not illustrated	20 ft cable, factory wired to sockets	<b>10387-20</b>	n/a	n/a	n/a	n/a	n/a	1	1	n/a	n/a

## Repair Kits

Part #	Description	Includes Item #
<b>FT320</b>	replacement blue (optic) vinyl cap assembly	2, 3, 5, 6, 9
<b>FT321</b>	replacement green (thermistor) vinyl cap assembly	2, 3, 5, 6, 8
<b>FT9051</b>	replacement contact block assembly for FT390/FT393 Optic 6 pin	1, 7, 18, 24, 25
<b>FT9052</b>	replacement contact block assembly for FT390/FT393 Thermistor 10 pin	1, 7, 18, 24, 25
<b>FT9062</b>	replacement nose ring, contact assembly, Thermistor 4J slot, 10 pin	1, 7, 18, 22, 24, 25
<b>FT9063</b>	replacement nose ring, contact assembly, Optic 3J slot, 6 pin	1, 7, 18, 21, 24, 25
<b>FT9068</b>	replacement contact block attachment screws and washers (4 each)	30, 31

Product instruction sheets and technical data can be viewed on our website at [dixongroupcanada.com](http://dixongroupcanada.com) by selecting the 'Resources' menu.