

## 4500 Series 2 Piece Gravity Drop Adapters

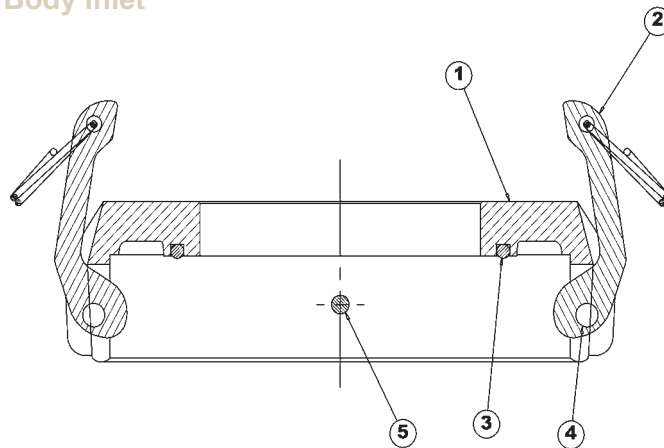
### 4500 Main Body Inlet

#### Bill of Materials

Item #	Description	Part #	Qty
1	body	---	1
2	cam arm and ring	use kit <b>4500RK</b>	2
3A	Baylast™ O-ring (standard)	<b>4500-5</b>	1
3B	FKM O-ring (optional)	<b>4500-7</b>	1
4	cam arm pin	use kit <b>4500RK</b>	2
5	rivet	<b>390564</b>	1

#### Repair Kits

Part #	Description	Item #
<b>4500RK</b>	replacement cam arms, rings, pins and Baylast™ O-ring (standard)	2, 3A, 4
<b>4500RK-V</b>	replacement cam arms, rings, pins and FKM O-ring (optional)	2, 3B, 4



## 4500 Series Drop Adapter Outlets

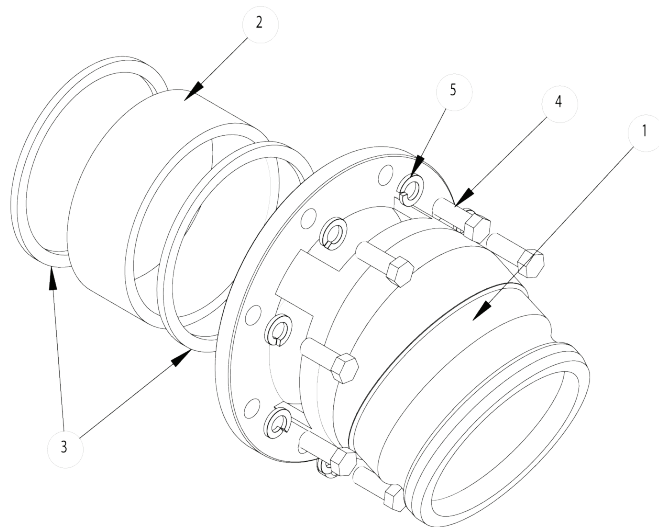
### 4501, 4502, 4503 and 4504

#### Bill of Materials

Item #	Description	Part #	Qty
1	body	---	1
2	sight glass	see below	2
3A	Baylast™ gasket	<b>4433</b>	2
3B	FKM gasket	<b>4426</b>	1
4	stainless bolt	<b>4427</b>	8
5	stainless washer	<b>WASHER.375-SS</b>	8
not illustrated	coupler gasket for 4504	<b>400-G-BF</b>	1
not illustrated	cam arm and ring for 4504	use kit <b>4540SG-RK3</b>	2
not illustrated	cam arm pin for 4504	use kit <b>4540SG-RK3</b>	2

#### Repair Kits

Part #	Description	Item #
<b>4400SGK</b>	replacement sight glass and Baylast™ gaskets for 4501 and 4504	2, 3A
<b>4400SGK-V</b>	replacement sight glass and FKM gaskets for 4501 and 4504	2, 3B
<b>4502SGK</b>	replacement sight glass and Baylast™ gaskets for 4502 and 4503	2, 3A
<b>4502SGK-V</b>	replacement sight glass and FKM gaskets for 4502 and 4503	2, 3B
<b>4540SG-RK3</b>	replacement cam arms and pins for 4504	not illustrated



Petroleum  
Replacement Parts

Product instruction sheets and technical data can be viewed on our website at [dixongroupcanada.com](http://dixongroupcanada.com) by selecting the 'Resources' menu.