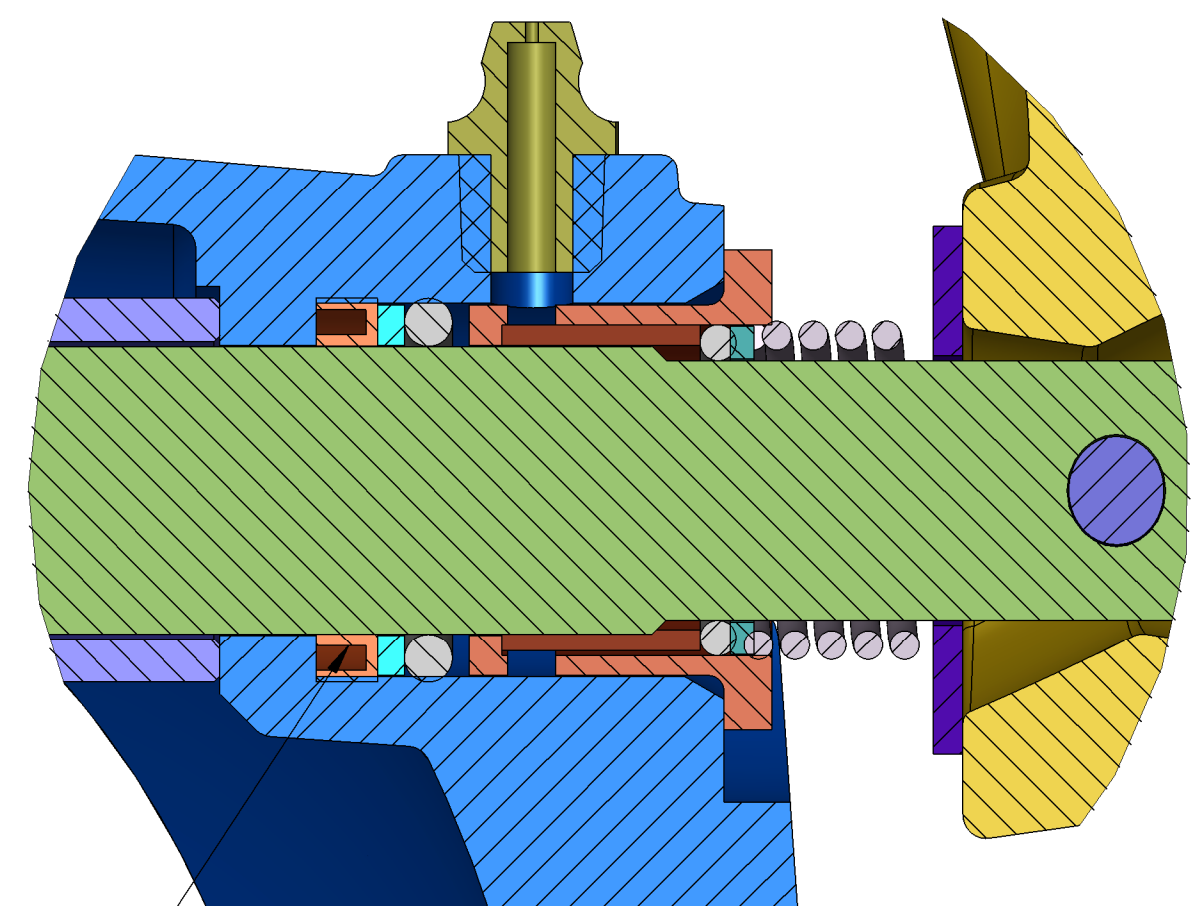
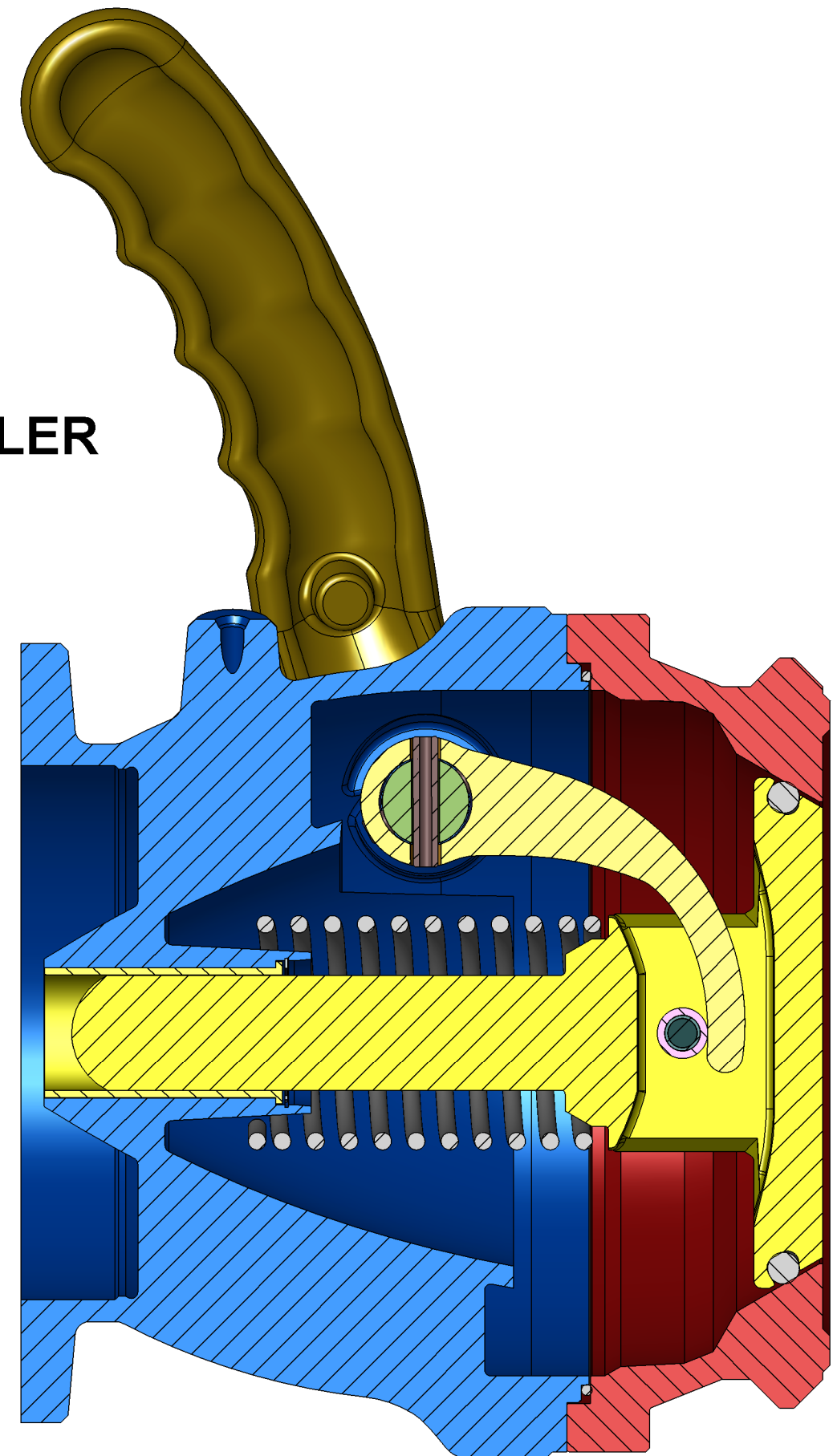
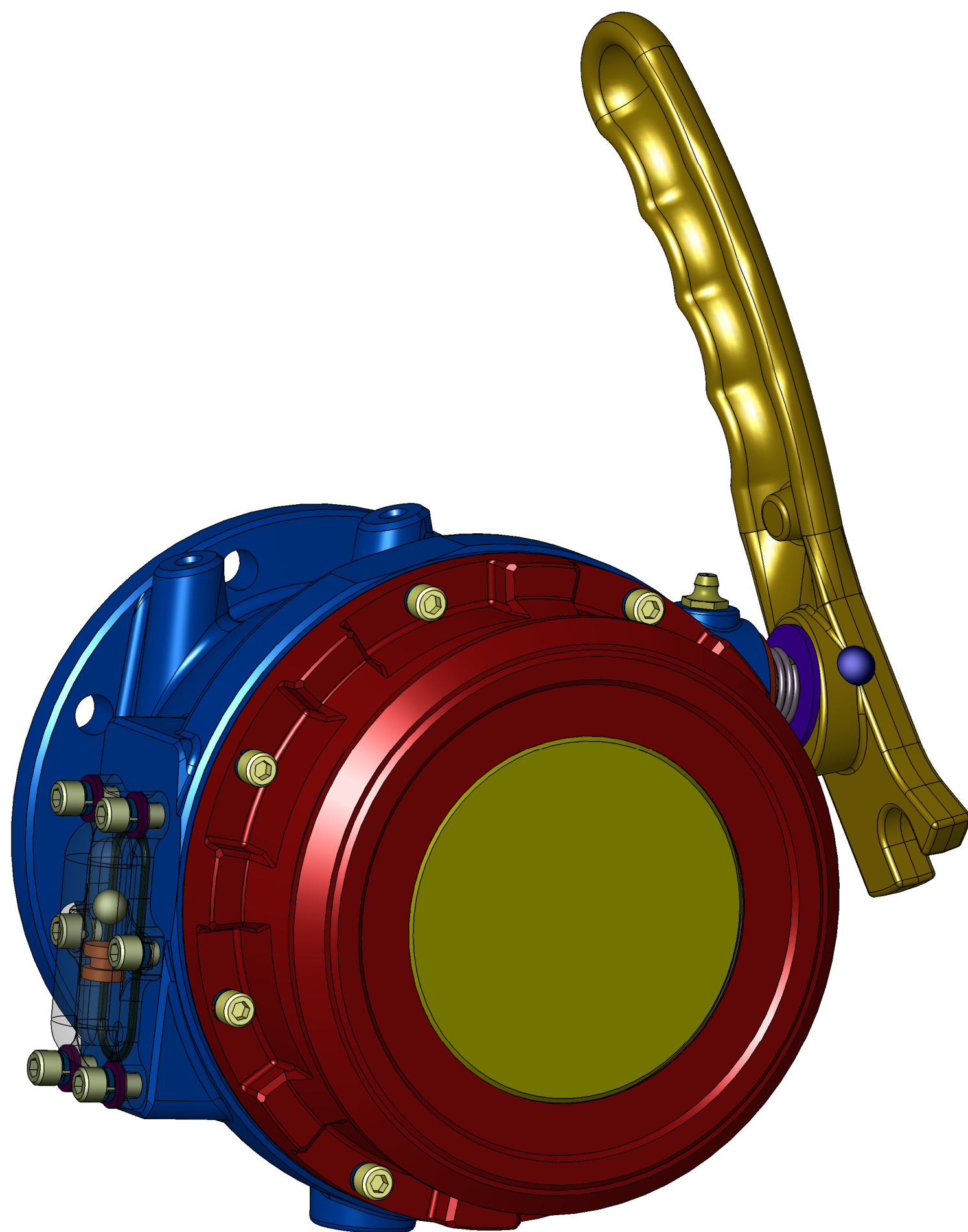


5204 BOTTOM LOADING ADAPTER

FEATURES:

1. ALUMINUM ERGONOMIC HANDLE
2. SIGHT FLOW INDICATOR
3. CHEMICAL RESISTANT SHAFT SEAL
4. ROTATABLE NOSE RING FOR NEW WEAR SURFACES
5. WET LINE READY
6. COMPLETELY REBUILDABLE WITHOUT REMOVING FROM TRAILER



3