

Maintenance & Operating Instructions

For

Dixon Bayco

VR4040CS-ALS45

4" VAPOUR COUPLER BY 4" x 45 DEGREE SWIVEL HOSE SHANK

For Sales and Service Contact

USA:

Dixon Bayco USA
Chestertown, Maryland
Phone: 410-778-2000
Fax: 410-778-4702
Toll Free: 800-355-1991
E-mail: dixonbayco@dixonvalve.com

Canada:

Dixon Group Canada Limited
Innisfil (Barrie), Ontario
Phone: 705-436-1125
Fax: 705-436-6251
Toll Free: 877-963-4966
E-mail: isales@dixongroupcanada.com

Europe:

Dixon Group Europe Ltd
Preston, England
Phone: +44 (0)1772 323529
Fax: +44 (0)1772 314664
E-mail: enquiries@dixoneurope.co.uk

Asia Pacific:

Dixon (Asia Pacific) Pty Ltd Wingfield,
South Australia
Phone: +61 8 8202 6000
Fax: +61 8 8202 6099
E-mail: enquiries@dixonvalve.com.au

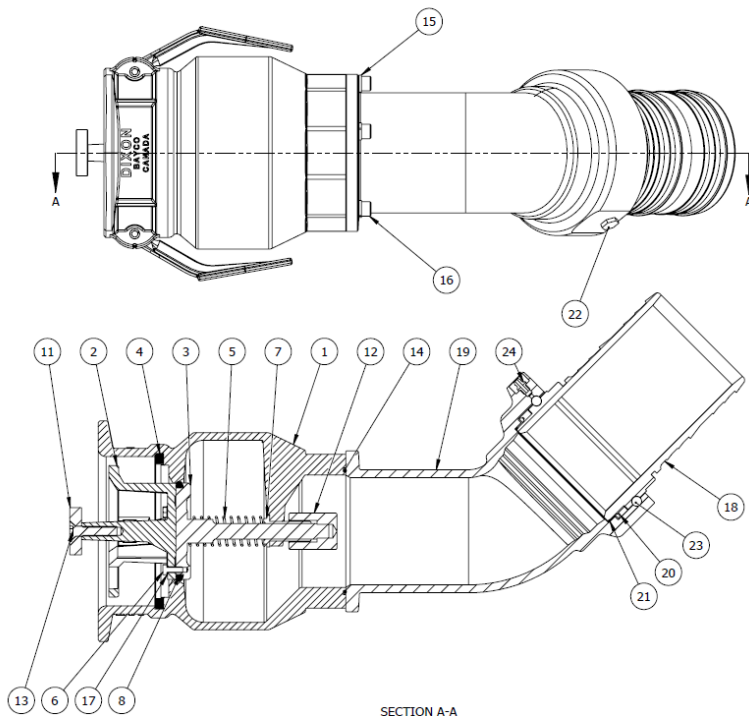
Mexico:

Dixva, S. de R.L. de C.V.
Monterrey, N.L.
Phone: 01-800-00-DIXON (34966)
Fax: 01-81-8354-8197
E-mail: contactenos@dixonvalve.com.mx



The Right Connection®

dixonvalve.com



SECTION A-A

BILL OF MATERIALS

ITEM NO.	PART NUMBER	DESCRIPTION	QTY.
1	341887	BODY	1
2	341819	CAGE	1
3	341820	POPPET	1
4	112262	GASKET	1
5	112263	SPRING	1
6	112506	MACHINE SCREW	3
7	390146	BUSHING	1
8	110691	O-RING #334 (FKM)	1
9	40215SS	PADDLE ARM	2
10	40218SS	CAM ARM PIN	2
11	391860	BUTTON	1
12	391868	POPPET STOP	1
13	112416	SOCKET SCREW	1
14	112420	O-RING 2-154	1
15	110931	5/16" LOCK WASHER	5
16	112421	5/16 SHCS SCREW	5
17	112507	SERRATED WASHER	3
18	341904	SWIVEL HOSE SHANK	1
19	341903	45 DEG. FLANGED SWIVEL BODY	1
20	112451	U SEAL	1
21	112452	WEAR RING	1
22	390947	BALL BEARING PLUG	1
23	112453	BALL BEARING	45
24	111561	GREASE FITTING	1

These instructions and recommendations are provided to ensure proper operation and long service life of Dixon Bayco VR4040CS-ALS45. Parts are identified by the item numbers on the assembly drawing and parts list.

DISASSEMBLY INSTRUCTIONS

1. Hold the cage (2) and undo the machine screws (6) and washers (17) using a screwdriver.
2. Remove the cage (2) and visually inspect the cage (2) and the button (11). If the cage (2) and the button (11) are worn or damaged, replace with new ones. **Note! The button (11) is tightened onto the probe of the cage (2) through the screw (13).**
3. If the gasket (4) needs to be replaced, install the new gasket (4). Make sure that the gasket (4) sits in the groove properly.
4. Push the poppet (3) into the coupler and hold. Remove the O-Ring (8) from the poppet (3).



Note! After the O-Ring (8) is removed, the poppet stop (12) will hold the poppet (3) in the coupler body. If the poppet (3) is worn or damaged, remove the coupler from the hose or the mating part.

- Separate the body (1) and the hose shank (assembly) by removing the socket screws (16) and lock washers (15).
6. Remove the poppet stop (12) from the flange end using a wrench for 1" hex.



7. Remove the poppet (3) and the spring (5).
8. Remove the bushing (7) and replace with a new bushing (7) if needed.

ASSEMBLY INSTRUCTIONS

1. Install the spring (5) and the poppet (3) from the front end into the body (1). After the poppet (3) end passes the bushing (7), thread the poppet stop (12) from the coupler back onto the poppet (3) end and hand tighten the poppet stop (12).

2. Hold the cage (2) and use the wrench for 1" hex to tighten the poppet stop (12). See pictures on disassembly instruction no. 6.
3. Push the poppet (3) into the coupler and hold. Install the new O-Ring (8) and make sure that the O-Ring (8) sits in the poppet (3) groove properly.



4. Install the cage (2) to the poppet (3) using the machine screws (6) and washers (17).
5. Push the cage (2) into the body (1) to make sure the cage (2) and the poppet (3) can move smoothly.
6. Place the O-Ring (14) into the flange groove of the body (1), make sure that the O-Ring (14) are still in good condition then install hose shank (assembly) to the body (1) and tighten socket screws (16) and lock washers (15).

LUBRICATE BALL BEARINGS: This product has been assembled with anti-seize compound and lubricated for easy maintenance and trouble-free service. However, we recommend lubricating the balls through the grease nipple using lithium based or quality automotive type grease prior to service. **Monthly inspection and lubrication become mandatory for items that are seldom used. Condensation, rain and road salts can cause corrosion build-up and binding when product not in use.**

DIXON BAYCO WARRANTY:

For complete warranty information, please refer to the inside back cover of the latest Dixon catalogue.