

ExD-Series Centrifugal Pump



High efficiency semi-open impeller designed for conveying low viscosity fluids in a broad range of applications like dairy, food, beverage, winery, and brewing markets.

Certifications

- 3A approved
- Elastomers meet FDA 21CFR 177.2600 and 3A 18-03 Class I

Size

- 1" - 2-1/2" outlet x 1" - 4" inlet

Features

- Seal options
 - Externally balanced seal with clamped in seat
 - Accommodates BC/BP-series DG single mechanical stationary and rotary seals
- Seal design
 - Robust single mechanical seal design with multiple material options
- Casing, front cover, and impeller machined from heavy duty forgings and precision castings
- Set and forget by simply setting the U.S. patent pending shaft sleeve with no gapping of the impeller required, even after a seal change
- Unique adapter slots make pump discharge easily adjustable from 90° to 180° without casing or front cover disassembly
- Wet end mounts to a standard NEMA C-face frame motor

Materials

- Product contact components: AISI 316L stainless steel, FKM, silicone, EPDM, PTFE
- Non-product contact components: AISI 304 stainless steel
- Product contact seals: 316L stainless steel, carbon, silicon carbide, tungsten carbide, and ceramic

Specifications

- Standard connection: clamp
- Minimum operating temperature: **32°F (0°C)**
- Maximum operating temperature: **212°F (100°)**
- Viscosity range: 1 - 500 cP
- Surface Finish
 - Product contact metal components: ≤ 32 Ra
 - Non-product contact metal components: ≤ 63 Ra
- Seal type: single mechanical
- Performance characteristics
 - Nominal capacity: up to **500 GPM**
 - Nominal speed: up to 3500 RPM - 60 Hz
- Motors and mounting
 - Motor frame size: NEMA C-face
 - Speeds: 1750 and 3450 RPM
 - Enclosure: TENV or TEFC, stainless steel, or epoxy white washdown
- Cleaning method
 - CIP: clean-in-place



ExD-Series Centrifugal Pump - Part Number Key

ExD-Series Centrifugal Pump Part Number Key Example: EX100ACB1AA_A01		Series	Model	Impeller Key	Inlet/Outlet Connection	Elastomer	Seal Type	Frame Size	Options	Motor Type	Electrical	Motor Power (HP RPM)		
		EX	100	A	C	B	1	A	A	-	A	01		
Series	Code	EX												
ExD	EX													
Model	Code		100											
1" x 1"	100													
1-1/2" x 1"	110													
2" x 1-1/2"	120													
2-1/2" x 1-1/2"	130													
2-1/2" x 2"	200													
3" x 2"	210													
3" x 2-1/2"	220													
4" x 2-1/2"	230													
Impeller Key	Code				A									
-	-													
Inlet/Outlet Connection	Code					C								
Clamp x clamp	C													
Weld x weld	B													
Elastomer	Code					B								
Nitrile rubber	B													
EPDM/EPDM	E													
Silicone/EPDM	S													
FKM	V													
Seal Type	Code						1							
Single mechanical SC/C	1													
Single mechanical TC/TC	2													
Single mechanical CER/C	3													
Single mechanical SC/SC	4													
Frame Size	Code							A						
56C	A													
143/145TC	B													
182/184TC	C													
213/215TC	D													
254/256TC	E													
Options*	Code								A					
Drain A	A													
Drain D	D													
Drain J	J													
Drain K	K													
None	N													
Motor Type	Code									-				
Contact Dixon Sanitary for motor options at 800.789.1718.														
Electrical	Code											A		
1Ph/60 Hz 115/230V	A													
3Ph/60 Hz 208-230/460V	B													
3Ph/60 Hz/575V	C													
3Ph/50 Hz/190/380V	D													
3Ph/50 Hz/380/460V	E													
3Ph/50 Hz/220/380/440V	F													
3Ph/50 Hz 220/380/415V	G													

Model Number	A	B	C	D	E	F	G	H	I
100/110	4.0	3.8	3.6	3.4	3.2	3.0	2.8	-	-
200/210	7.0	6.6	6.2	5.8	5.4	5.2	4.8	-	-
120/130	6.0	5.8	5.6	5.4	5.2	5.0	4.8	4.6	4.4
220/230	7.3	6.9	6.5	6.0	5.6	5.2	4.8	-	-

*Drain options can be found on page 23.

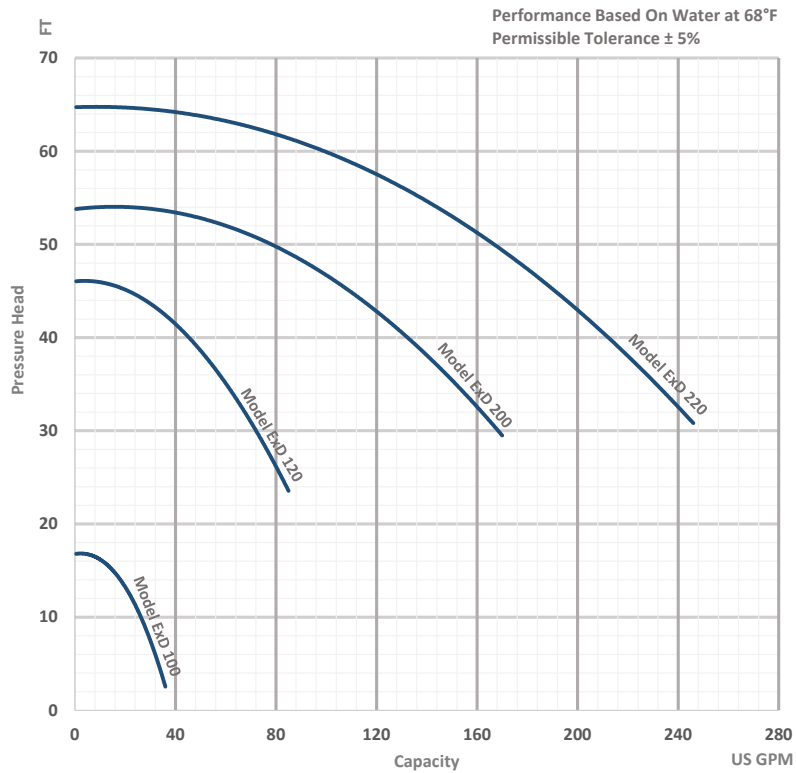
ExD-Series Centrifugal Pump - Part Number Key

ExD-Series Centrifugal Pump Part Number Key Example: EX100ACB1AA_A01		Series	Model	Impeller Key	Inlet/Outlet Connection	Elastomer	Seal Type	Frame Size	Options	Motor Type	Electrical	Motor Power (HP RPM)
		EX	100	A	C	B	1	A	A	-	A	01
Motor Power (HP RPM)	Code											
1/3 1750	01											
1/2 1750	02											
3/4 1750	03											
1 1750	04											
1-1/2 1750	05											
2 1750	06											
3 1750	07											
5 1750	08											
7-1/2 1750	09											
10 1750	10											
15 1750	11											
20 1750	12											
25 1750	13											
30 1750	14											
40 1750	15											
50 1750	16											
60 1750	17											
1/3 3500	18											
1/2 3500	19											
3/4 3500	20											
1 3500	21											
1-1/2 3500	22											
2 3500	23											
3 3500	24											
5 3500	25											
7-1/2 3500	26											
10 3500	27											
15 3500	28											
20 3500	29											
25 3500	30											
30 3500	31											
40 3500	32											
50 3500	33											
60 3500	34											

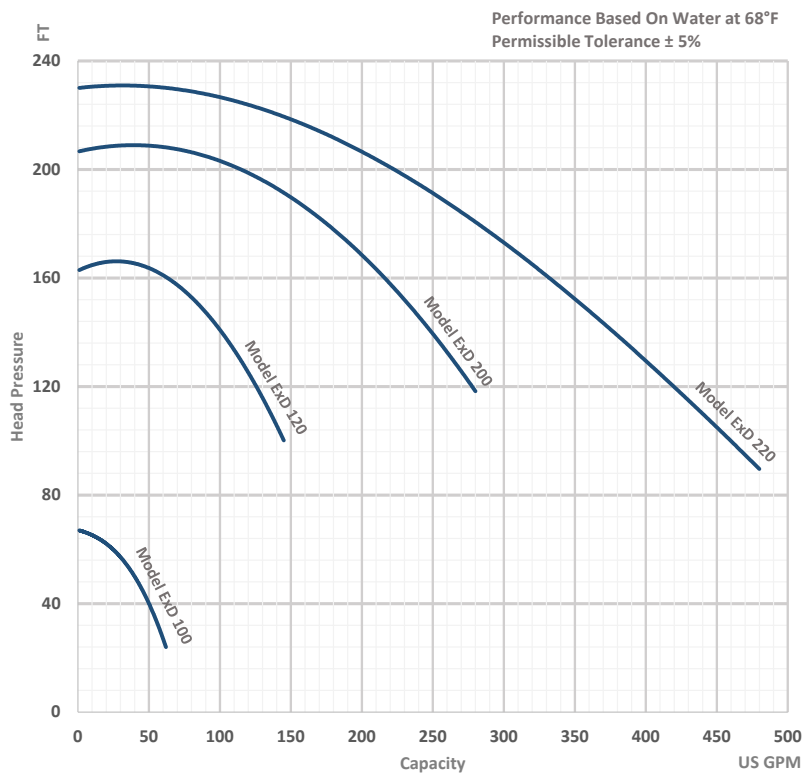
NOTE: Fluid end includes all parts required to assemble to your motor.
 Specify adjustable leg kits at time of order. Leg kits will be shipped to match the frame size as specified by model number.
 Leg kits will not be assembled.
 If there are options that are not listed above, please contact Dixon Sanitary for availability and pricing.

ExD-Series Centrifugal Pump - Pump Curves

1750 RPM

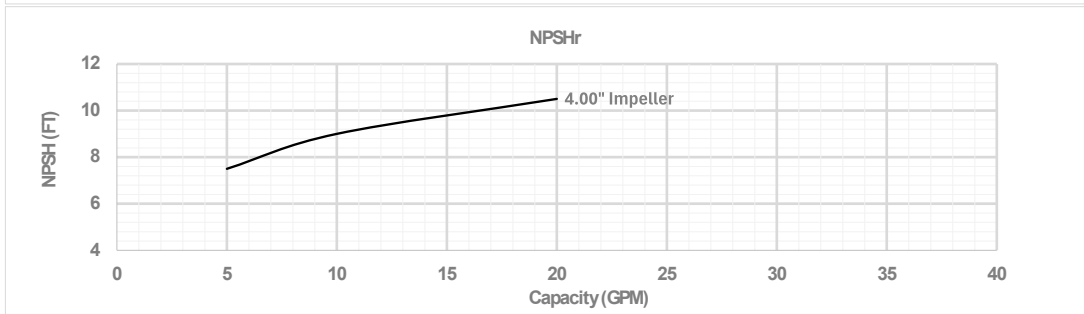
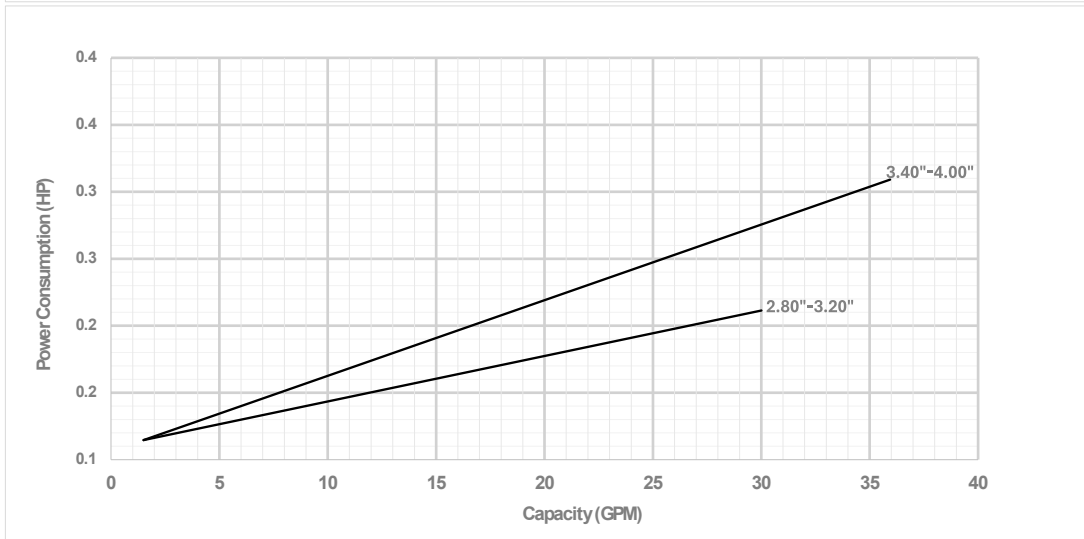
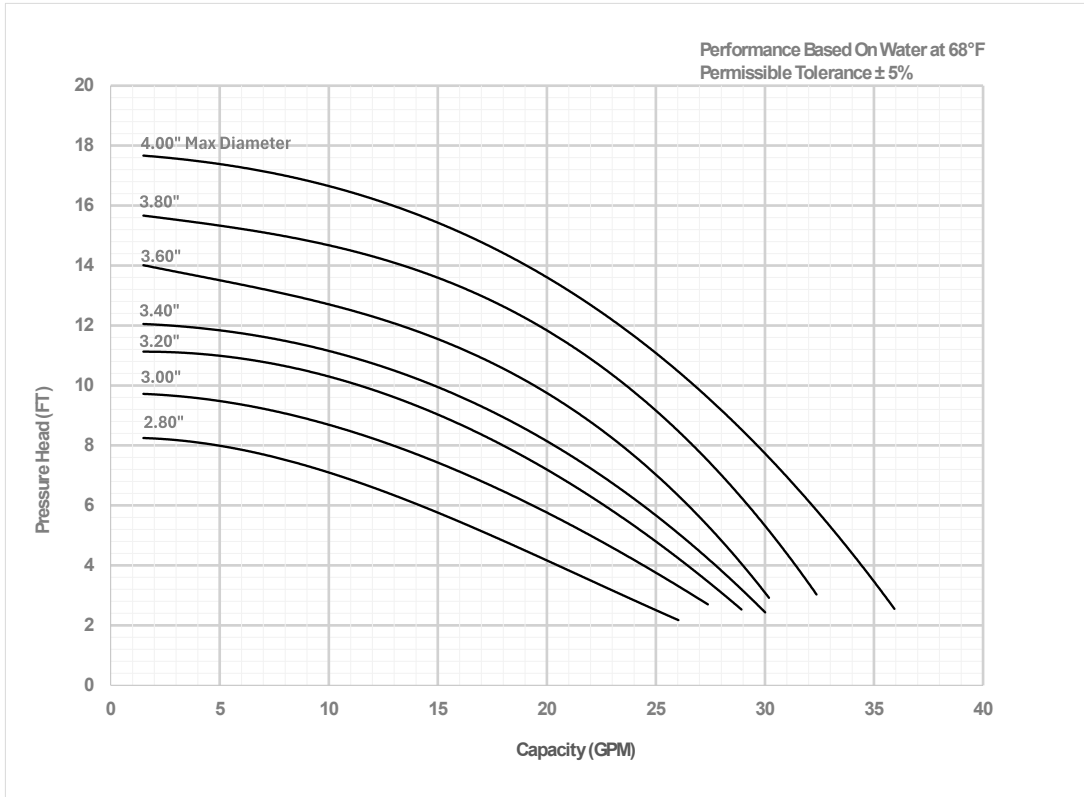


3500 RPM



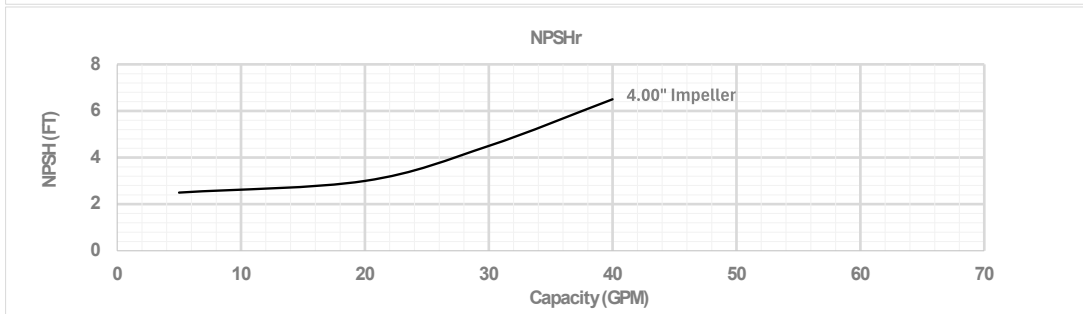
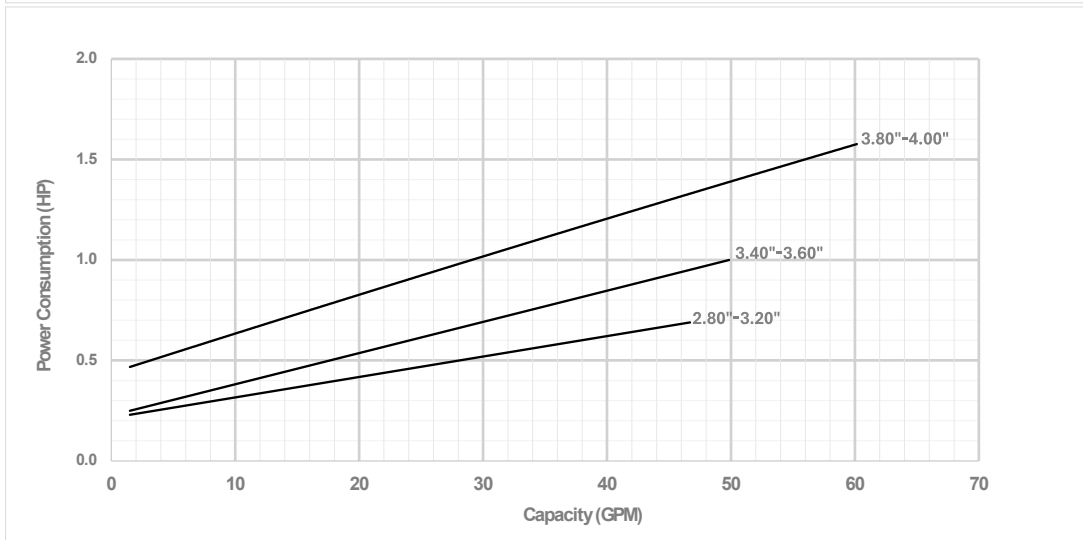
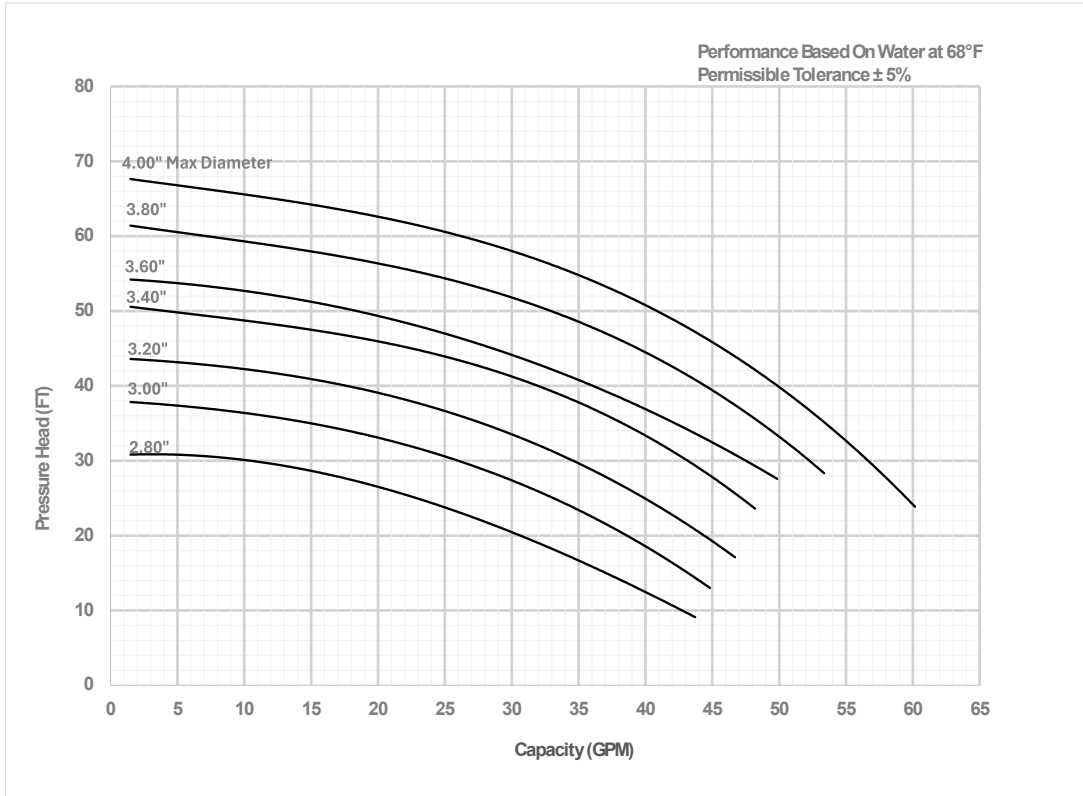
ExD-Series Centrifugal Pump - Pump Curves

ExD 100-110 - 1750 RPM



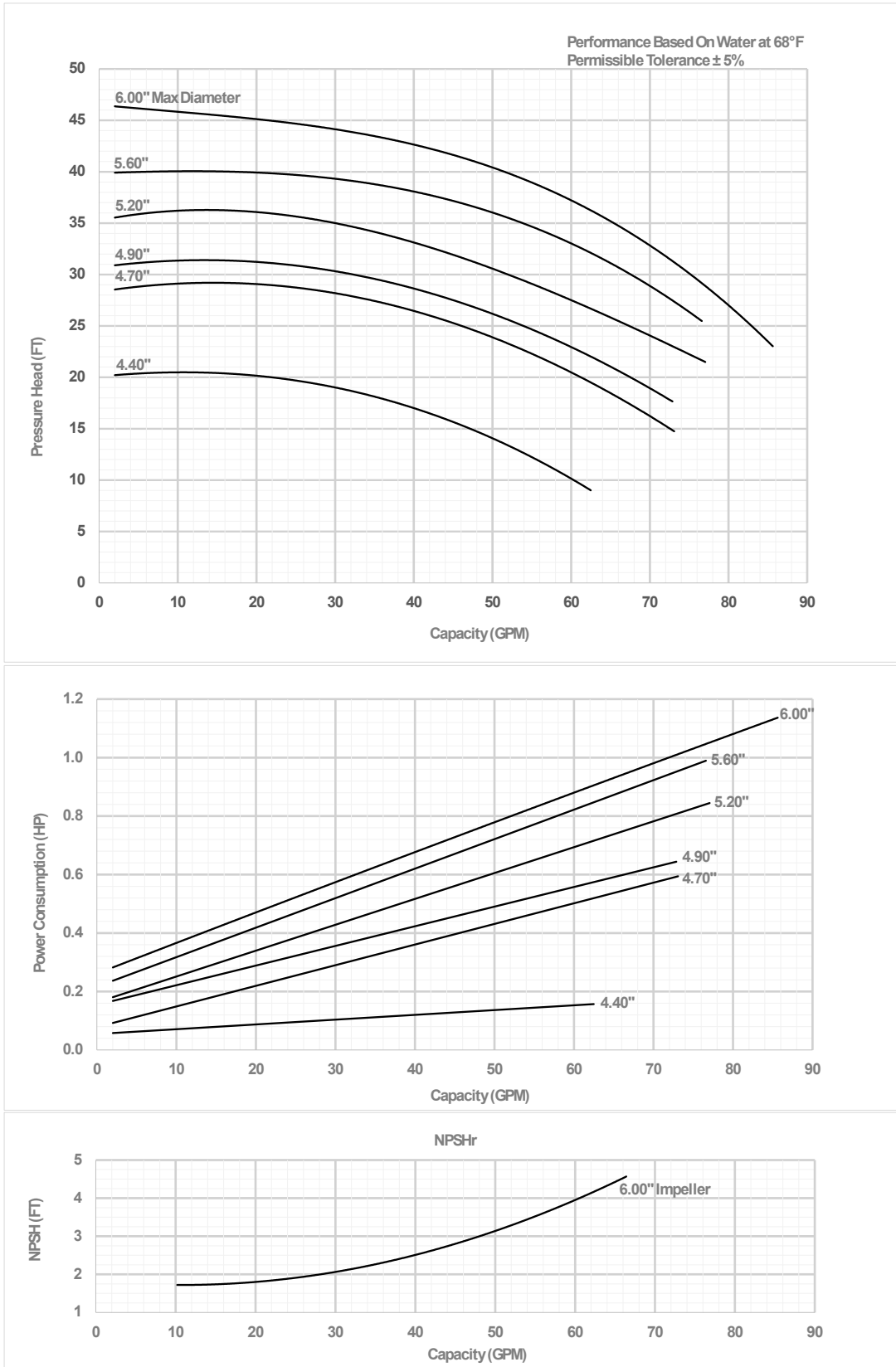
ExD-Series Centrifugal Pump - Pump Curves

ExD 100-110 - 3500 RPM



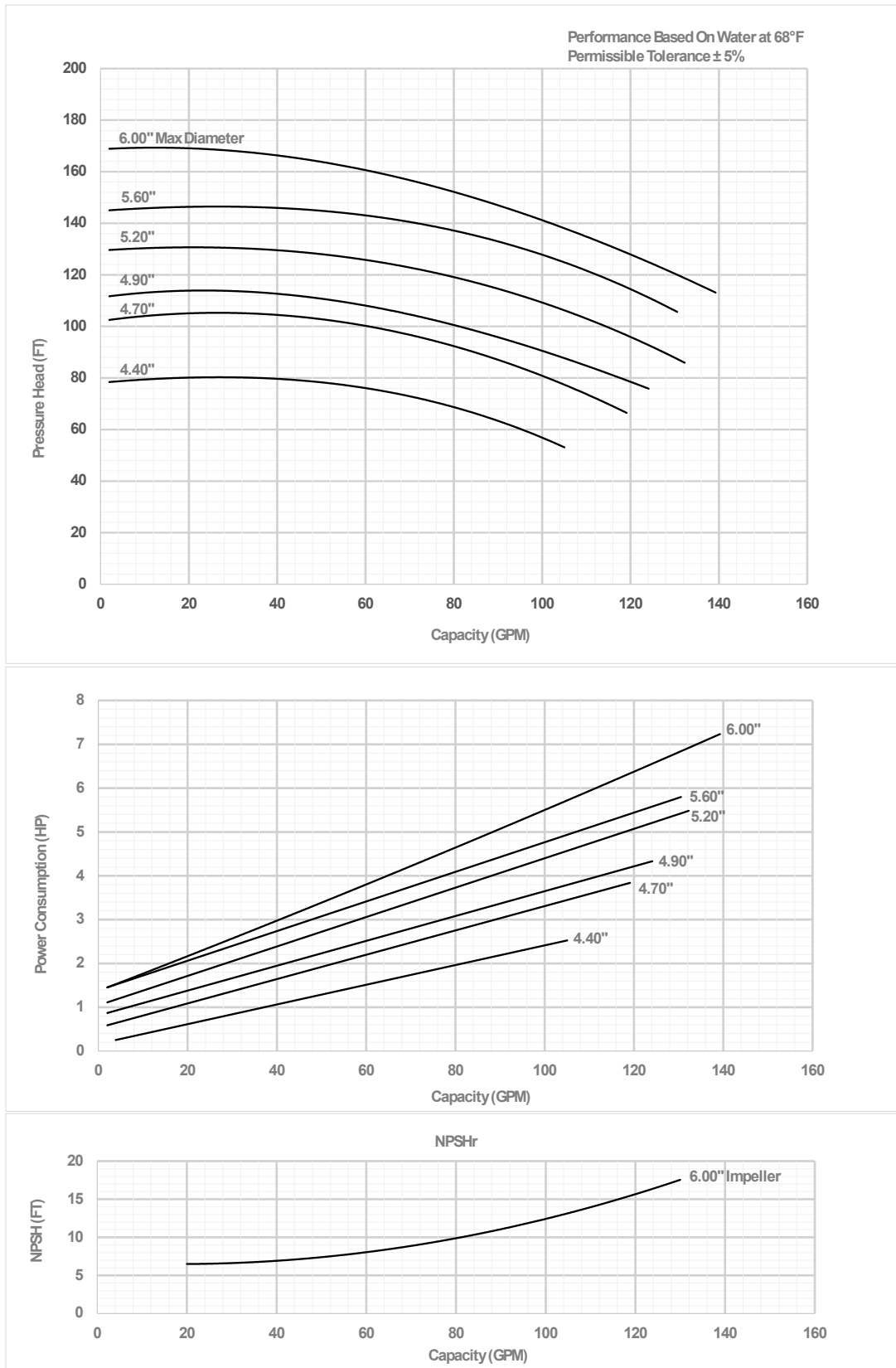
ExD-Series Centrifugal Pump - Pump Curves

ExD 120-130 - 1750 RPM



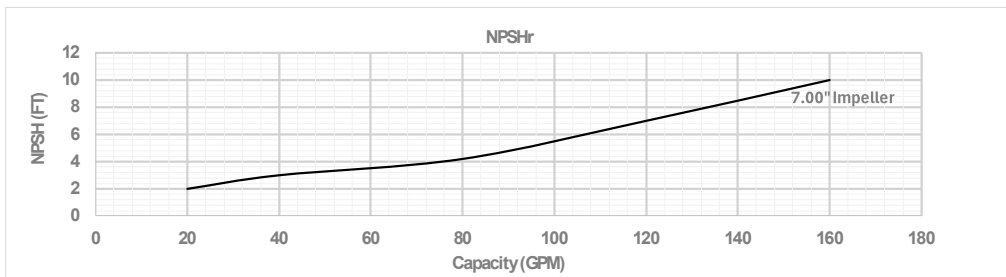
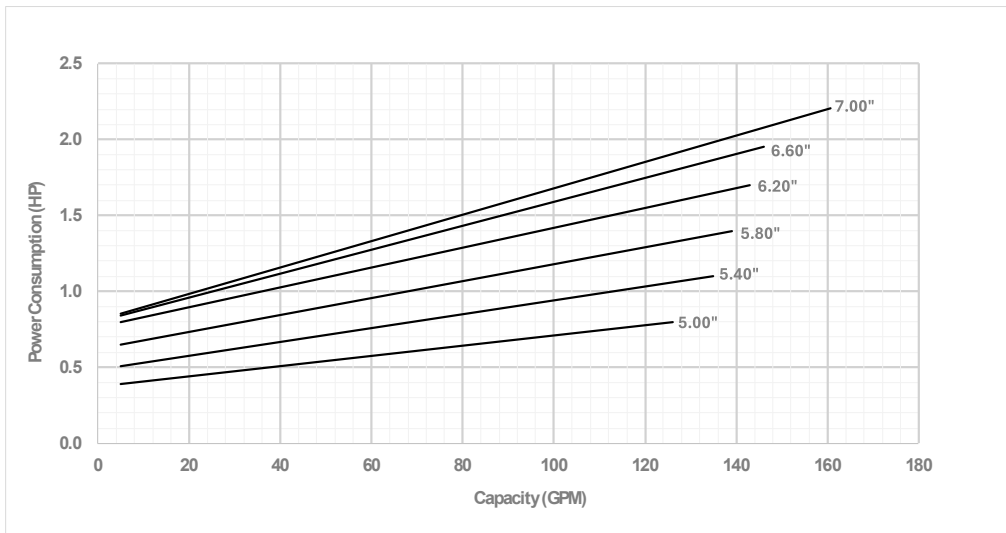
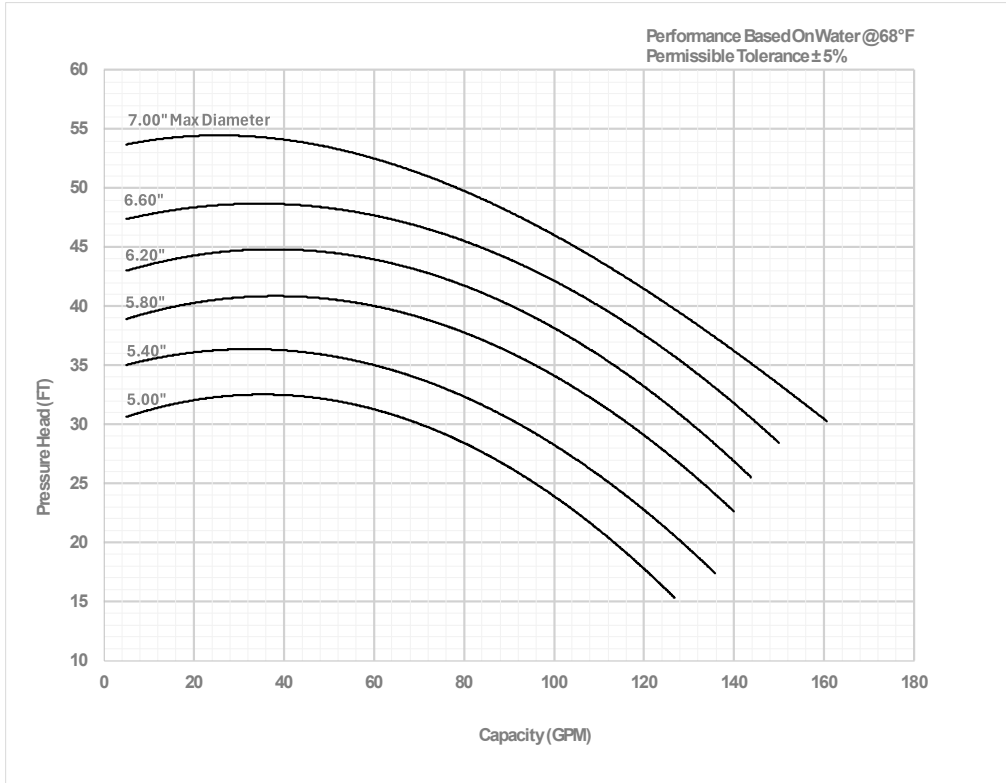
ExD-Series Centrifugal Pump - Pump Curves

ExD 120-130 - 3500 RPM



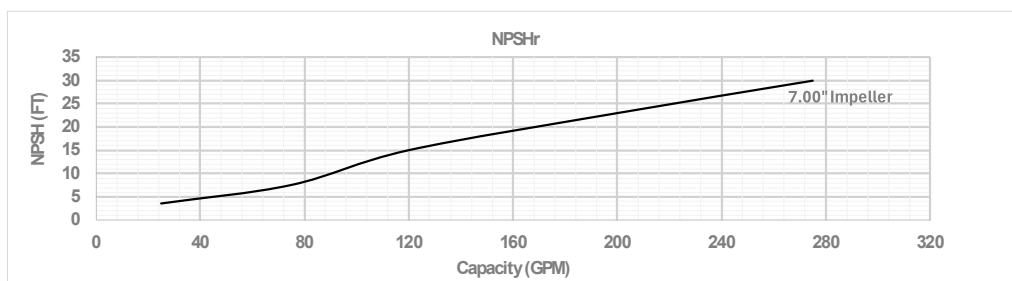
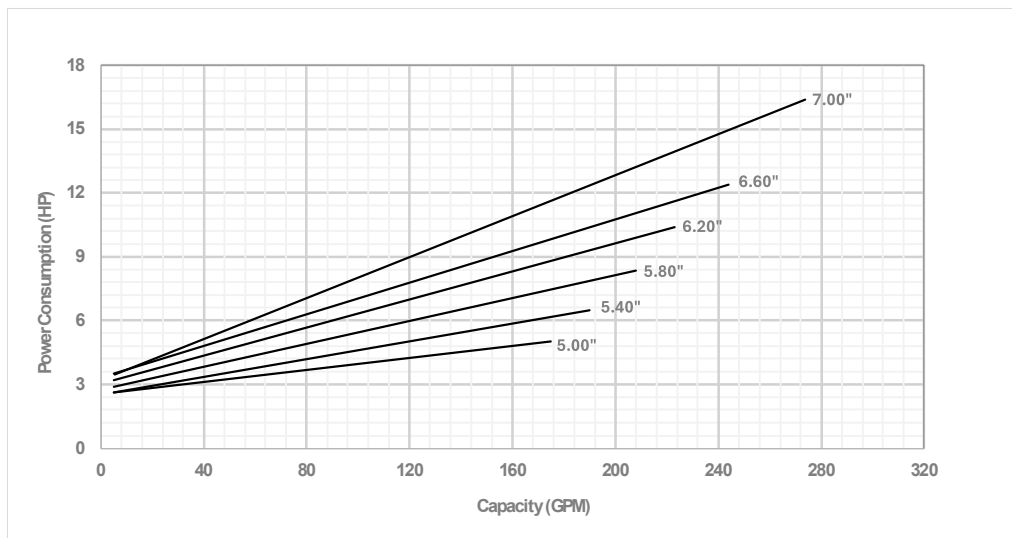
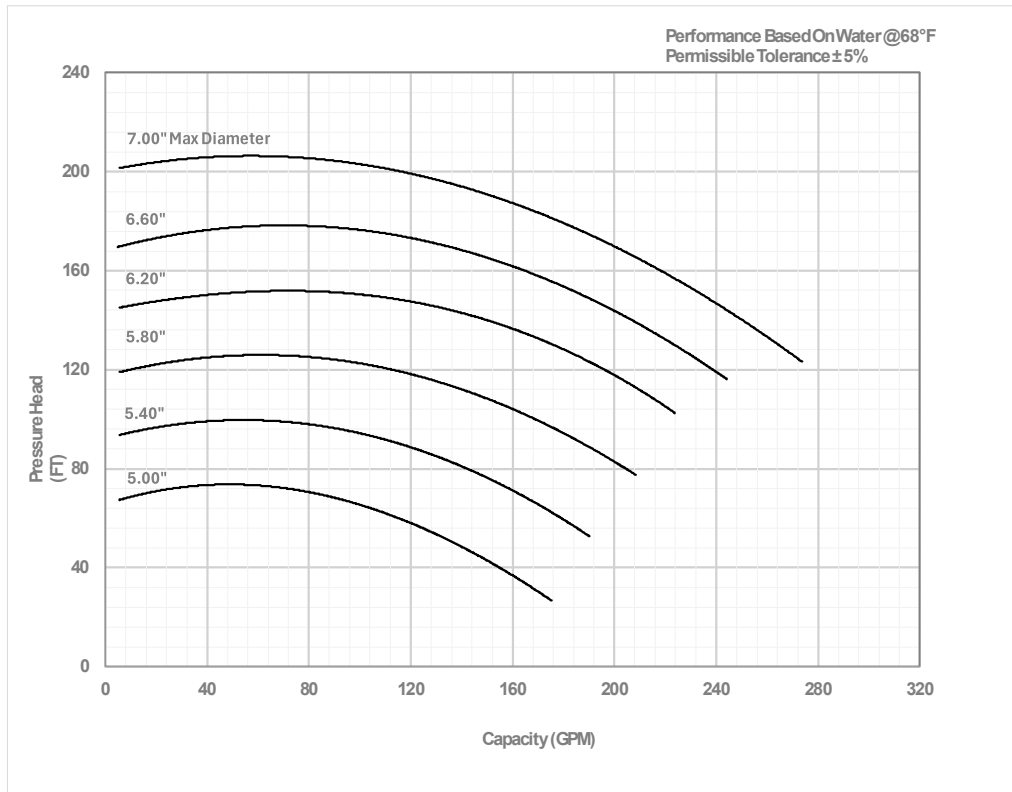
ExD-Series Centrifugal Pump - Pump Curves

ExD 200-210 - 1750 RPM



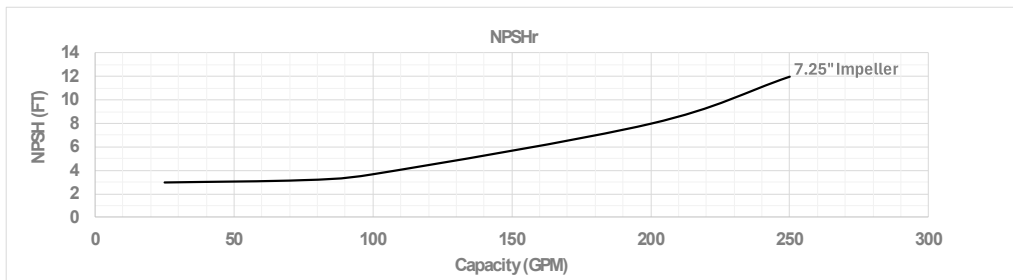
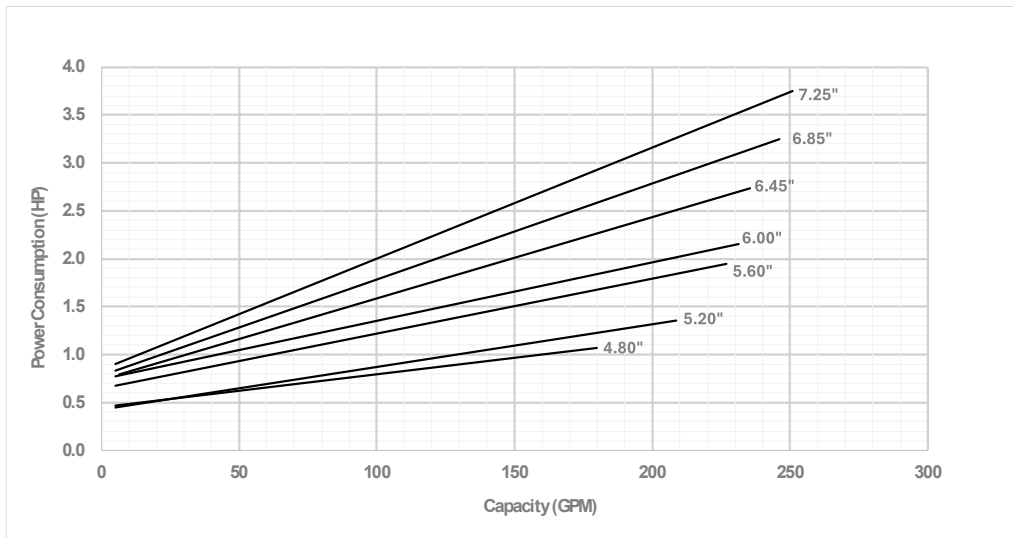
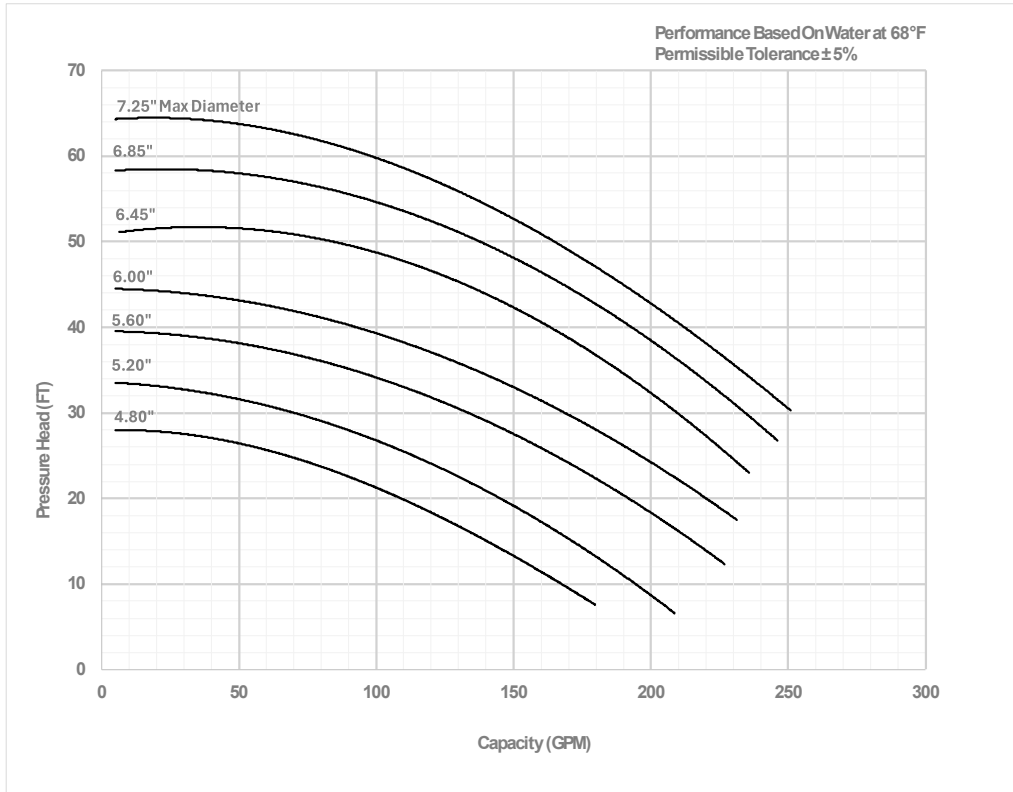
ExD-Series Centrifugal Pump - Pump Curves

ExD 200-210 - 3500 RPM



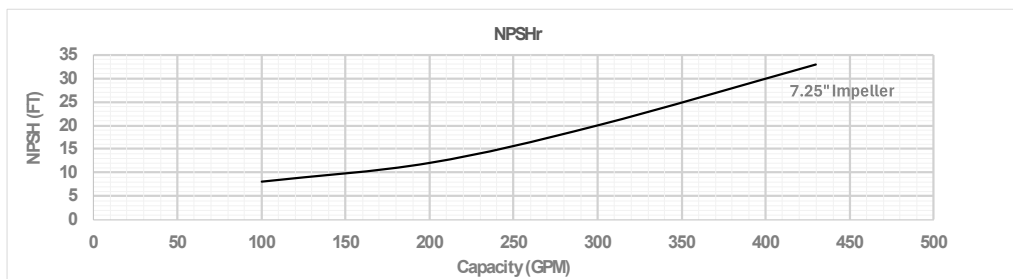
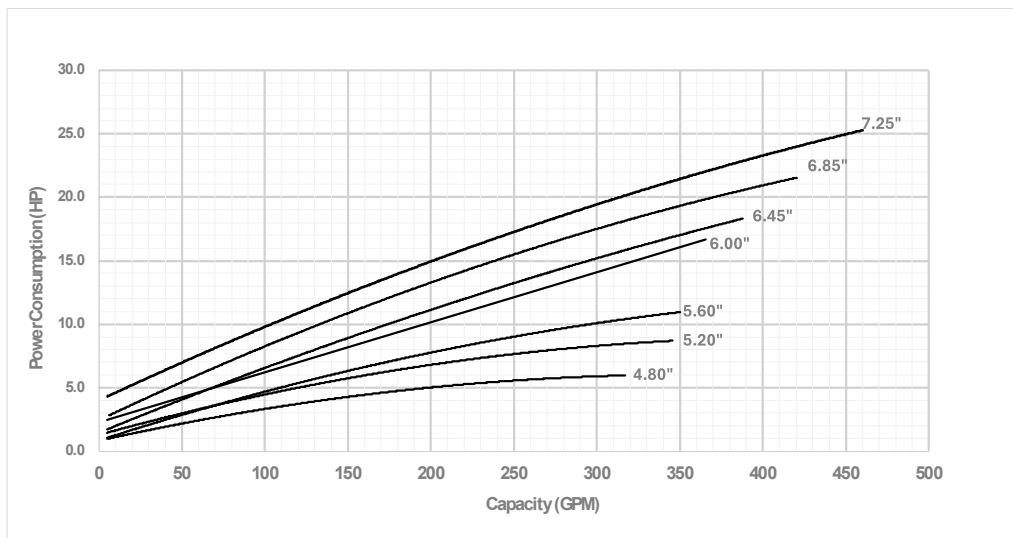
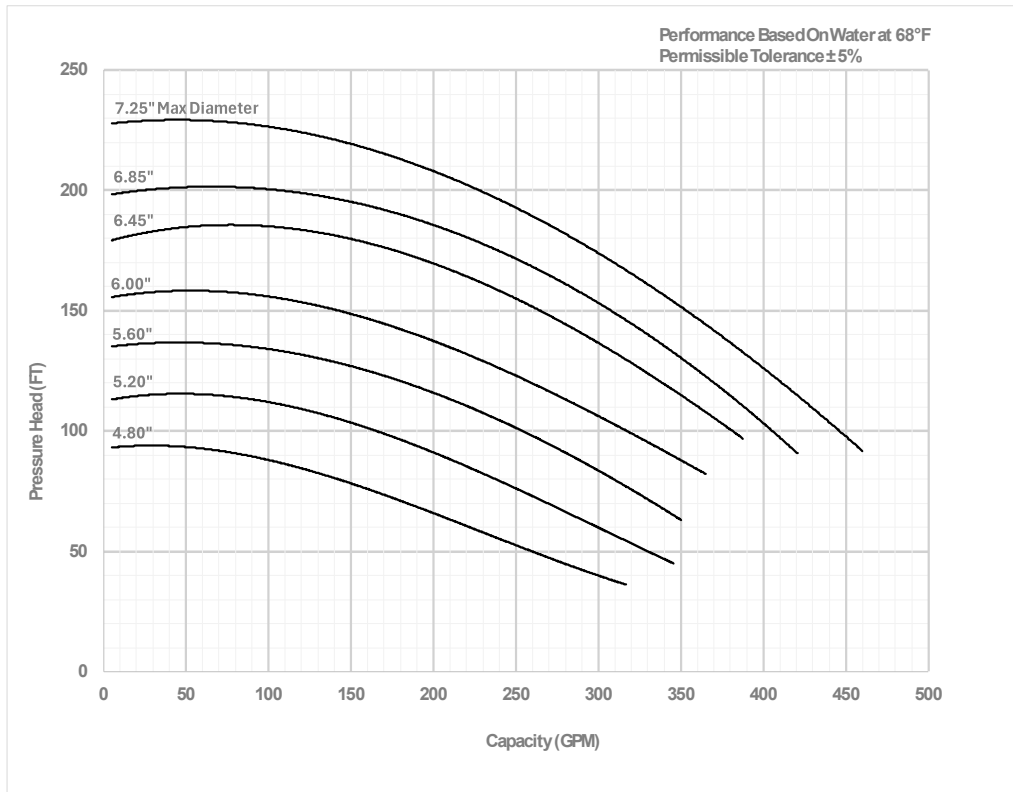
ExD-Series Centrifugal Pump - Pump Curves

ExD 220-230 - 1750 RPM



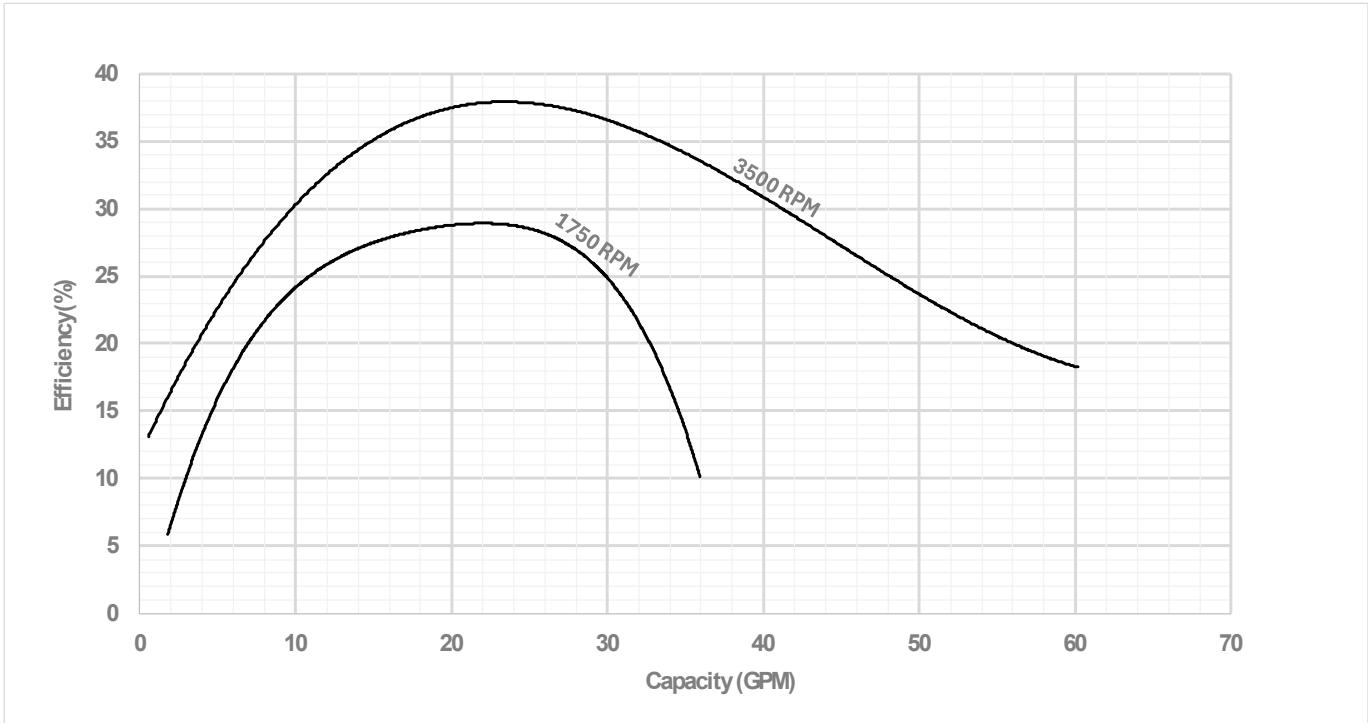
ExD-Series Centrifugal Pump - Pump Curves

ExD 220-230 - 3500 RPM

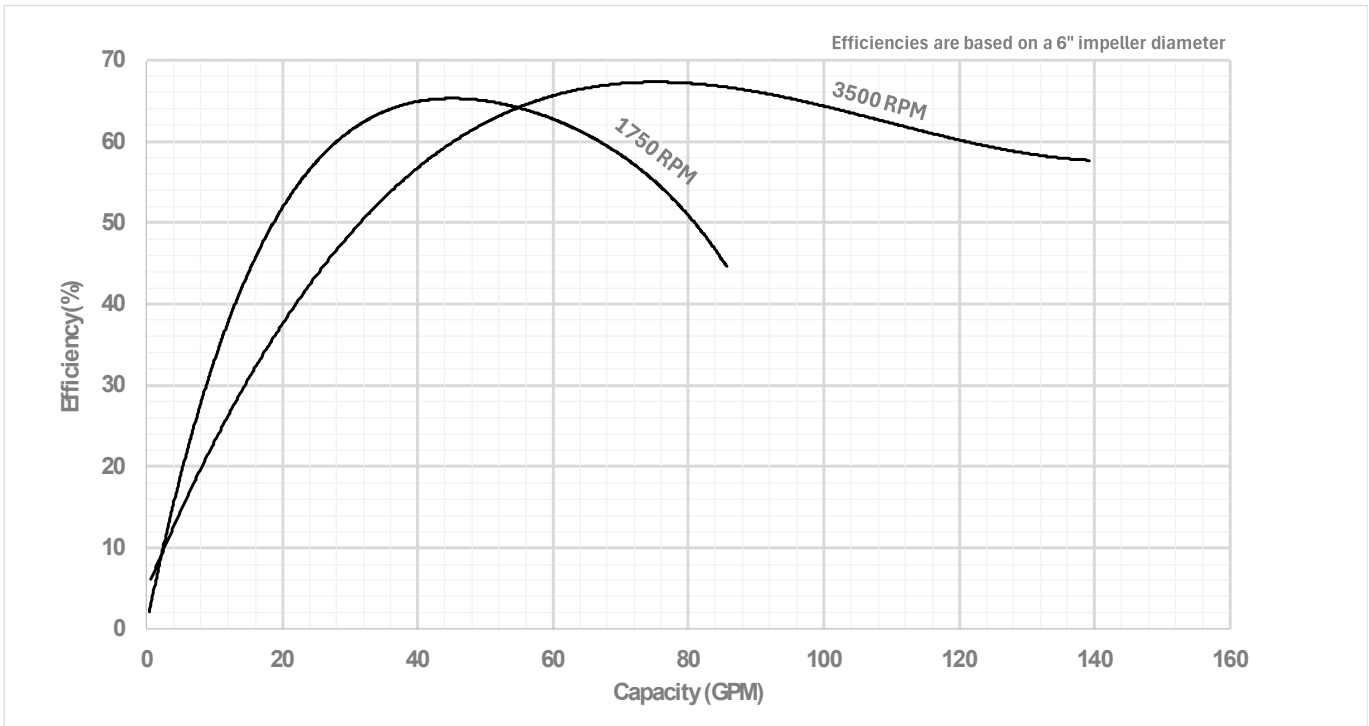


ExD-Series Centrifugal Pump - Efficiency Curves

ExD 100-110

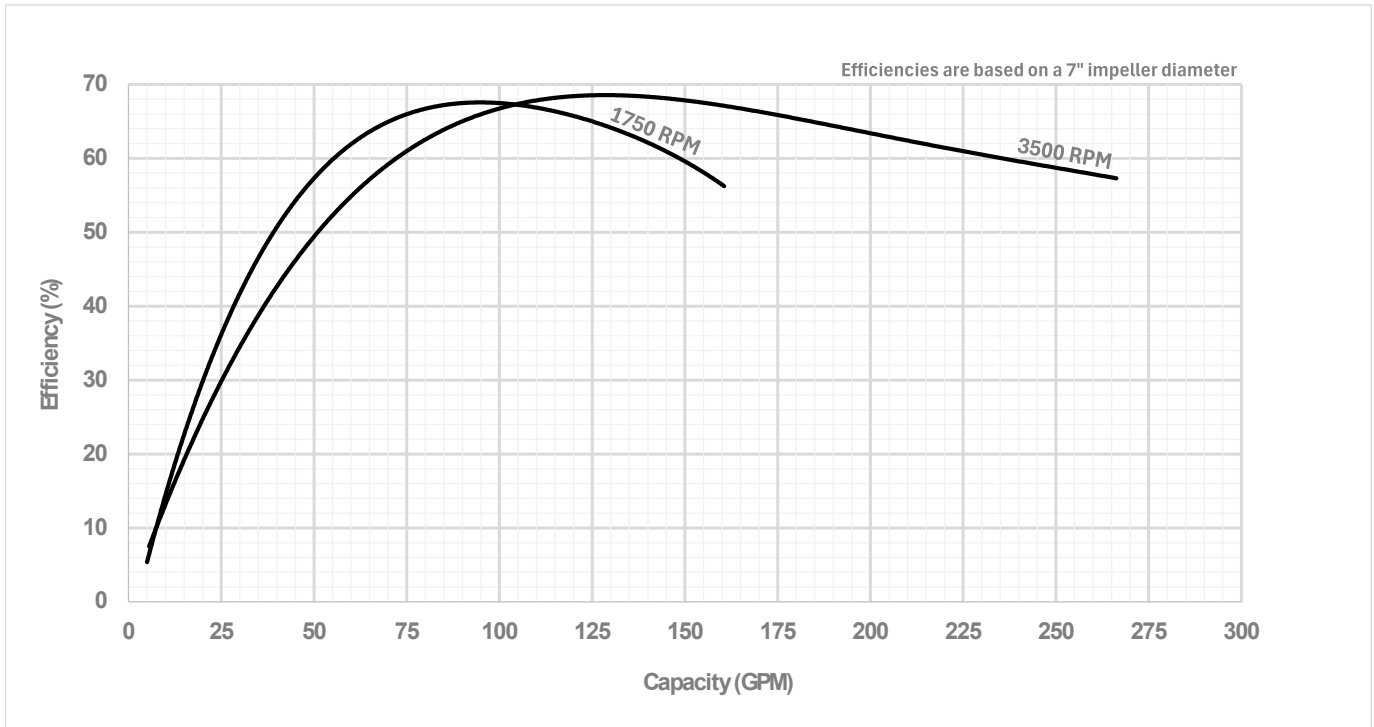


ExD 120-130

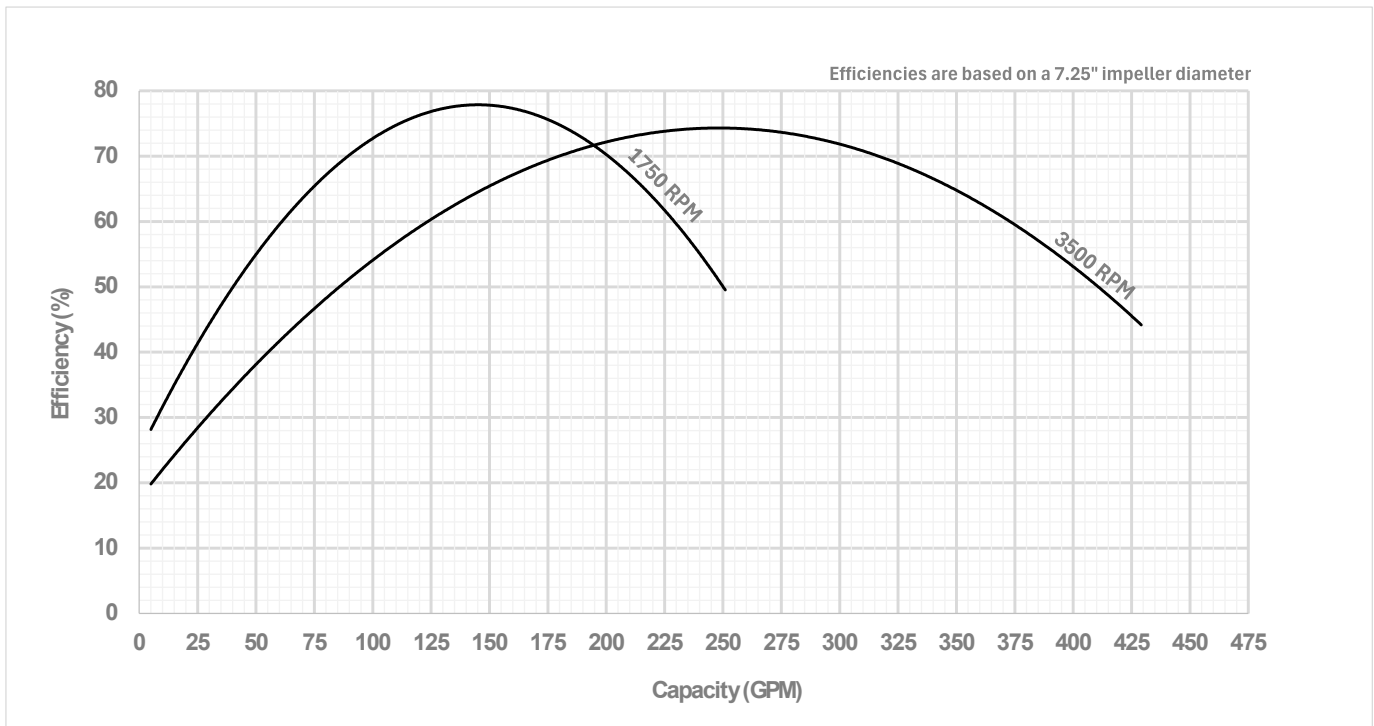


ExD-Series Centrifugal Pump - Efficiency Curves

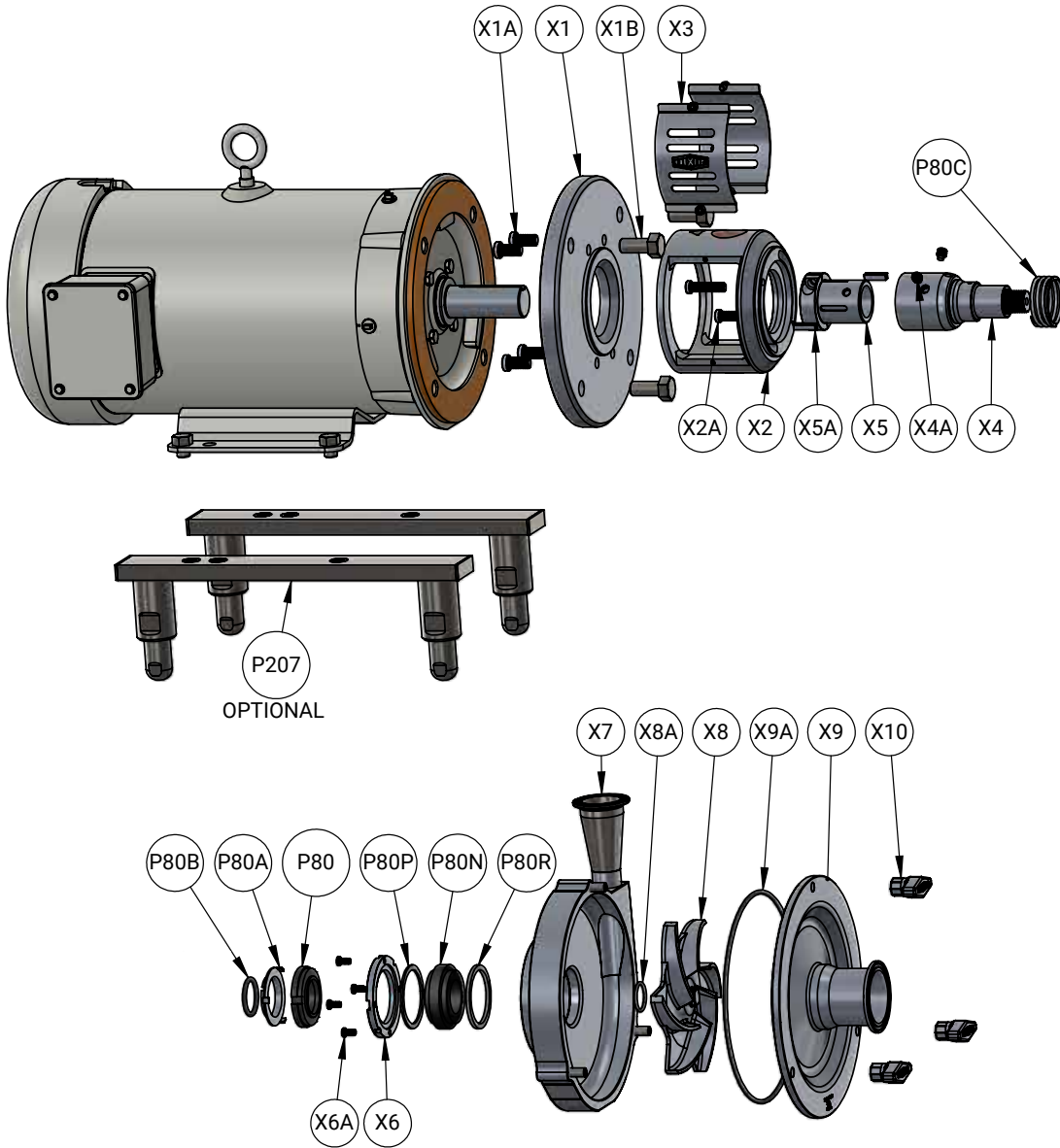
ExD 200-210



ExD 220-230



ExD-Series Centrifugal Pump - Bill of Materials



ExD-Series Centrifugal Pump - Efficiency Curves

ExD 100-110

Item #	Part #	Description	Qty
X1*	X1-100-5614AMF	100 series adapter to motor flange 56C and 143TC to 145TC	1
	X1-100-18AMF	100 series adapter to motor flange 182TC to 184 TC	1
X1A	X1A-100-FAB	100 series flange to adapter bolts	4
X1B*	X1B-100-FMB56	100 series flange to motor bolts and lock washers 56TC to 140TC frame	4
	X1B-100-FMB18	100 series flange to motor bolts and lock washers 180TC to 250TC frame	4
X2	X2-100-ADP	100 series adapter	1
X2A	X2A-100-ACB	100 series adapter to casing bolts and shaft sleeve bolts	4
X3	X3-100-GRD	100 series guard set with bolts	1
X4	X4-100-SH	100 series stub shaft	1
X4A	X4A-100-DPSS	100 series shaft dog point set screw	2
X5*	X5-100-SL56	100 series shaft sleeve for 56C frame	1
	X5-100-SL14	100 series shaft sleeve for 143TC to 145TC frame	1
	X5-100-SL18	10 series shaft sleeve for 182TC to 184TC frame	1
X5A	X5A-100-SKEY	100 series shaft sleeve key	2
X6	X6-100-SG	100 series seal gland	1
X6A	X6A-100-SGB	100 series seal gland bolt	4
P80*	P80-216CS	carbon rotary seal	1
	P80-216SC	silicon carbide rotary seal	1
	P80-216TC	tungsten carbide rotary seal	1
P80A	P80A-216CP	seal cup	1
P80B*	P80B-216SOE	seal O-ring EPDM	1
	P80B-216SOV	seal O-ring FKM	1
	P80B-216SOB	seal O-ring nitrile rubber	1
P80C	P80C-216SG	seal spring	1
P80P	P80P-216OG	stationary outboard gasket	1
P80N*	P80N-216SC	stationary seal silicon carbide	1
	P80N-216CER	stationary seal ceramic	1
	P80N-216TC	stationary seal tungsten carbide	1
P80R	P80R-216IG	stationary inboard gasket	1
X7	X7-100-CASE-C	100-110 series pump casing with clamp outlet	1
X8	X8-100-A400	100-110 series impeller 4" max diameter	1
	X8-100-AXXXX	100-110 series trimmed impeller	1
X8A*	X8A-100-IORE	100 series impeller O-ring EPDM	1
	X8A-100-IORV	100 series impeller O-ring FKM	1
	X8A-100-IORB	100 series O-ring nitrile rubber	1
X9*	X9-100-CVR-C	100 series pump cover with clamp inlet 1"	1
	X9-110-CVR-C	110 series pump cover with clamp inlet 1-1/2"	1
X9A*	X9A-100-COR-E	100-110 series cover/casing O-ring EPDM	1
	X9A-100-COR-V	100-110 series cover/casing O-ring FKM	1
	X9A-100-COR-B	100-110 series cover/casing O-ring nitrile rubber	1
X10	X10-100-WN	cover wing nuts	3

*Denotes variable parts

ExD-Series Centrifugal Pump - Bill of Materials

ExD 120-130

Item #	Part #	Description	Qty
X1*	X1-100-5614AMF	100 series adapter to motor flange 56C and 143TC to 145TC	1
	X1-100-18AMF	100 series adapter to motor flange 182TC to 184TC	1
X1A	X1A-100-FAB	100 series flange to adapter bolts	4
X1B*	X1B-100-FMB56	100 series flange to motor bolts and lock washers 56TC to 140TC frame	4
	X1B-100-FMB18	100 series flange to motor bolts and lock washers 180TC to 250TC frame	4
X2	X2-100-ADP	100 series adapter	1
X2A	X2A-100-ACB	100 series adapter to casing bolts and shaft sleeve bolts	4
X3	X3-100-GRD	100 series guard set with bolts	1
X4	X4-100-SH	100 series stub shaft	1
X4A	X4A-100-DPSS	100 series shaft dog point set screw	2
X5*	X5-100-SL56	100 series shaft sleeve for 56C frame	1
	X5-100-SL14	100 series shaft sleeve for 143TC to 145TC frame	1
	X5-100-SL18	100 series shaft sleeve for 182TC to 184TC frame	1
X5A	X5A-100-SKEY	100 series shaft sleeve key	2
X6	X6-100-SG	100 series seal gland	1
X6A	X6A-100-SGB	100 series seal gland bolt	4
P80*	P80-216CS	carbon rotary seal	1
	P80-216SC	silicon carbide rotary seal	1
	P80-216TC	tungsten carbide rotary seal	1
P80A	P80A-216CP	seal cup	1
P80B*	P80B-216SOE	seal O-ring EPDM	1
	P80B-216SOV	seal O-ring FKM	1
	P80B-216SOB	seal O-ring nitrile rubber	1
P80C	P80C-216SG	seal spring	1
P80P	P80P-216OG	stationary outboard gasket	1
P80N*	P80N-216SC	stationary seal silicon carbide	1
	P80N-216CER	stationary seal ceramic carbide	1
	P80N-216TC	stationary seal tungsten carbide	1
P80R	P80R-216IG	stationary inboard gasket	1
X7	X7-120-CASE-C	120-130 series pump casing with clamp outlet	1
X8	X8-120-A600	120-130 series impeller 6" max diameter	1
	X8-120-AXXXX	120-130 series trimmed impeller	1
X8A	X8A-100-IORE	100 series impeller O-ring EPDM	1
	X8A-100-IORV	100 series impeller O-ring FKM	1
	X8A-100-IORB	100 series impeller O-ring nitrile rubber	1
X9*	X9-120-CVR-C	120 series pump cover with clamp inlet 2"	1
	X9-130-CVR-C	130 series pump cover with clamp inlet 2-1/2"	1
X9A*	X9A-120-COR-E	120-130 series cover/casing O-ring EPDM	1
	X9A-120-COR-V	120-130 series cover/casing O-ring FKM	1
	X9A-120-COR-B	120-130 series cover/casing O-ring nitrile rubber	1
X10	X10-100-WN	cover wing nuts	3

Casing Drain Options: ExD 100, 110, 120, and 130

Item #	Part #	Description	Qty
X7	X7-100-CASE-C-A	ExD 100-110 pump casing with clamp outlet, Drain A	1
	X7-100-CASE-C-D	ExD 100-110 pump casing with clamp outlet, Drain D	1
	X7-100-CASE-C-J	ExD 100-110 pump casing with clamp outlet, Drain J	1
	X7-100-CASE-C-K	ExD 100-110 pump casing with clamp outlet, Drain K	1
	X7-120-CASE-C-A	ExD 120-130 pump casing with clamp outlet, Drain A	1
	X7-120-CASE-C-D	ExD 120-130 pump casing with clamp outlet, Drain D	1
	X7-120-CASE-C-J	ExD 120-130 pump casing with clamp outlet, Drain J	1
	X7-120-CASE-C-K	ExD 120-130 pump casing with clamp outlet, Drain K	1

*Denotes variable parts

ExD-Series Centrifugal Pump - Bill of Materials

ExD 200-210

Item #	Part #	Description	Qty
X1	X1-200-1825AMF	200 series adapter to motor flange 182TC to 184TC to 254TC to 256TC	1
X1A	X1A-100-FAB	100 series flange to adapter bolts	4
X1B*	X1B-100-FMB18	100 series flange to motor bolts and lock washers 180TC to 250TC frame	4
X2	X2-200-ADP	200 series adapter	1
X2A	X2A-200-ACB	200 series adapter to casing bolts and shaft sleeve bolts	4
X3	X3-200-GRD	200 series guard set with bolts	2
X4	X4-200-SH	200 series stub shaft	1
X4A	X4-200-DPSS	200 series shaft dog point set screw	2
X5*	X5-200-SL18	200 series shaft sleeve for 182TC to 184TC frame	1
	X5-200-SL21	200 series shaft sleeve for 213TC to 215TC frame	1
	X5-200-SL25	200 series shaft sleeve for 254TC to 256TC frame	1
X5A	X5A-200-SKEY	200 series shaft sleeve key	2
X6	X6-200-SG	200 series seal gland	1
X6A	X6A-200-SGB	200 series seal gland bolt	4
P80*	P80-218BCS	carbon rotary seal	1
	P80-218BSC	silicon carbide rotary seal	1
	P80-218BTC	tungsten carbide rotary seal	1
P80A	P80A-218BCP	seal cup	1
P80B*	P80B-218BSOE	seal O-ring EPDM	1
	P80B-218BSOV	seal O-ring FKM	1
	P80B-218BSOB	seal O-ring nitrile rubber	1
P80C	P80C-218BSG	seal spring	1
P80P	P80P-218BOG	stationary outboard gasket	1
P80N*	P80N-218BSC	stationary seal silicon carbide	1
	P80N-218BCER	stationary seal ceramic	1
	P80N-218BTC	stationary seal tungsten carbide	1
P80R	P80R-218BIG	stationary inboard gasket	1
X7	X7-200-CASE-C	200-210 series pump casing with clamp outlet	1
X8	X8-200-A700	200-210 series impeller 7" max diameter	1
	X8-200-AXXXX	200-210 series trimmed impeller	1
X8A*	X8A-200-IORE	200 series impeller O-ring EPDM	1
	X8A-200-IORV	200 series impeller O-ring FKM	1
	X8A-200-IORB	200 series impeller O-ring nitrile rubber	1
X9	X9-200-CVR-C	200 series pump cover with clamp inlet 2-1/2"	1
	X9-210-CVR-C	210 series pump cover with clamp inlet 3"	1
X9A*	X9A-200-COR-E	200-210 series cover/casing O-ring EPDM	1
	X9A-200-COR-V	200-210 series cover/casing O-ring FKM	1
	X9A-200-COR-B	200-210 series cover/casing O-ring nitrile rubber	1
X10	X10-200-WN	200 series cover wing nuts	4

*Denotes variable parts

ExD-Series Centrifugal Pump - Bill of Materials

ExD 220 / ExD 230

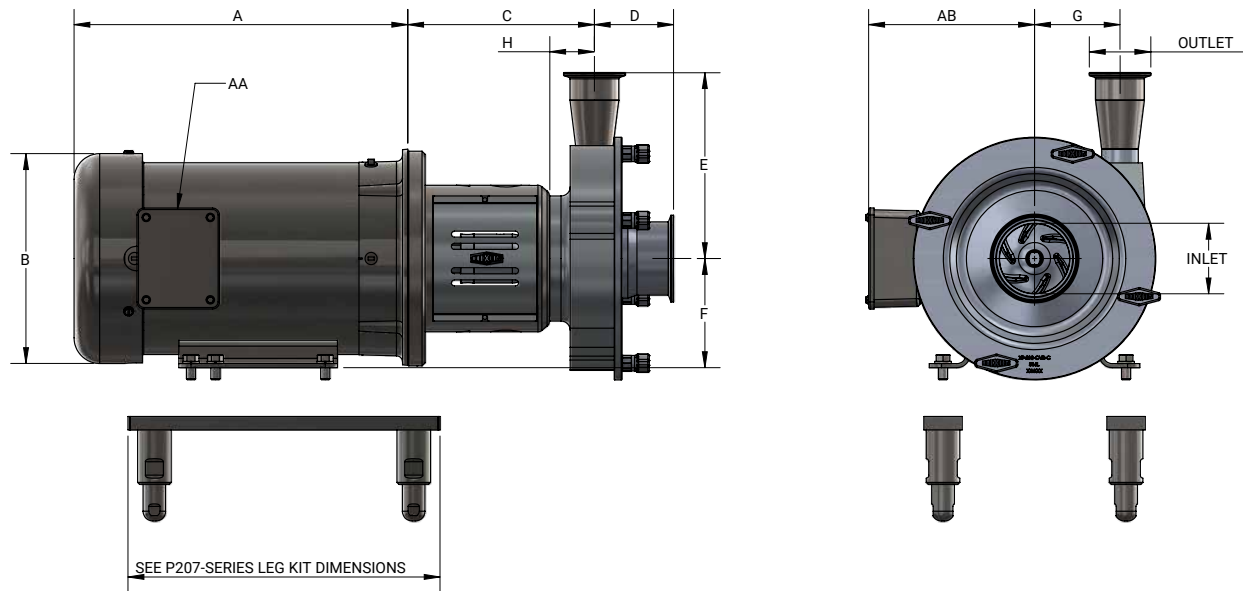
Item #	Part #	Description	Qty
X1	X1-200-1825AMF	200 series adapter to motor flange 182TC to 184TC to 254TC to 256TC	1
X1A	X1A-100-FAB	100 series flange to adapter bolts	4
X1B*	X1B-100-FMB18	100 series flange to motor bolts and lock washers 180TC to 250TC frame	4
X2	X2-200-ADP	200 series adapter	1
X2A	X2A-200-ACB	200 series adapter to casing bolts and shaft sleeve bolts	4
X3	X3-200-GRD	200 series guard with bolts	2
X4	X4-200-SH	200 series stub shaft	1
X4A	X4-200-DPSS	200 series shaft dog point set screw	2
X5*	X5-200-SL18	200 series shaft sleeve for 182TC to 184TC frame	1
	X5-200-SL21	200 series shaft sleeve for 213TC to 215TC frame	1
	X5-200-SL25	200 series shaft sleeve for 254TC to 256TC frame	1
X5A	X5A-200-SKEY	200 series shaft sleeve key	2
X6	X6-200-SG	200 series seal gland	1
X6A	X6A-200-SGB	200 series seal gland bolt	4
P80*	P80-218BCS	carbon rotary seal	1
	P80-218BSC	silicon carbide rotary seal	1
P80A	P80A-218BCP	seal cup	1
P80B*	P80B-218BSOE	seal O-ring EPDM	1
	P80B-218BSOV	seal O-ring FKM	1
	P80B-218BSOB	seal O-ring nitrile rubber	1
P80C	P80C-218BSG	seal spring	1
P80P	P80P-218BOG	stationary outboard gasket	1
P80N*	P80N-218BSC	stationary seal silicon carbide	1
	P80N-218BCER	stationary seal ceramic	1
	P80N-218BTC	stationary seal tungsten carbide	1
P80R	P80R-218BIG	stationary inboard gasket	1
X7	X7-220-CASE-C	220-230 series pump casing with clamp outlet	1
X8	X8-220-A725	220-230 series impeller 7-1/4" max diameter	1
	X8-220-AXXX	220-230 series trimmed impeller	1
X8A*	X8A-200-IORE	200 series impeller O-ring EPDM	1
	X8A-200-IORV	200 series impeller O-ring FKM	1
	X8A-200-IORB	200 series impeller O-ring nitrile rubber	1
X9	X9-220-CVR-C	220 series pump cover with clamp inlet 3"	1
	X9-230-CVR-C	230 series pump cover with clamp inlet 4"	1
X9A*	X9A-220-COR-E	220-230 series cover/casing O-ring EPDM	1
	X9A-220-COR-V	220-230 series cover/casing O-ring FKM	1
	X9A-220-COR-B	220-230 series cover/casing O-ring nitrile rubber	1
X10	X10-200-WN	200 series cover wing nuts	4

Casing Drain Options - ExD 200, 210, 220, and 230

Item #	Part #	Description	Qty
X7	X7-200-CASE-C-A	ExD 200-210 pump casing with clamp outlet, Drain A	1
	X7-200-CASE-C-D	ExD 200-210 pump casing with clamp outlet, Drain D	1
	X7-200-CASE-C-J	ExD 200-210 pump casing with clamp outlet, Drain J	1
	X7-200-CASE-C-K	ExD 200-210 pump casing with clamp outlet, Drain K	1
	X7-220-CASE-C-A	ExD 220-230 pump casing with clamp outlet, Drain A	1
	X7-220-CASE-C-D	ExD 220-230 pump casing with clamp outlet, Drain D	1
	X7-220-CASE-C-J	ExD 220-230 pump casing with clamp outlet, Drain J	1
	X7-220-CASE-C-K	ExD 220-230 pump casing with clamp outlet, Drain K	1

*Denotes variable parts

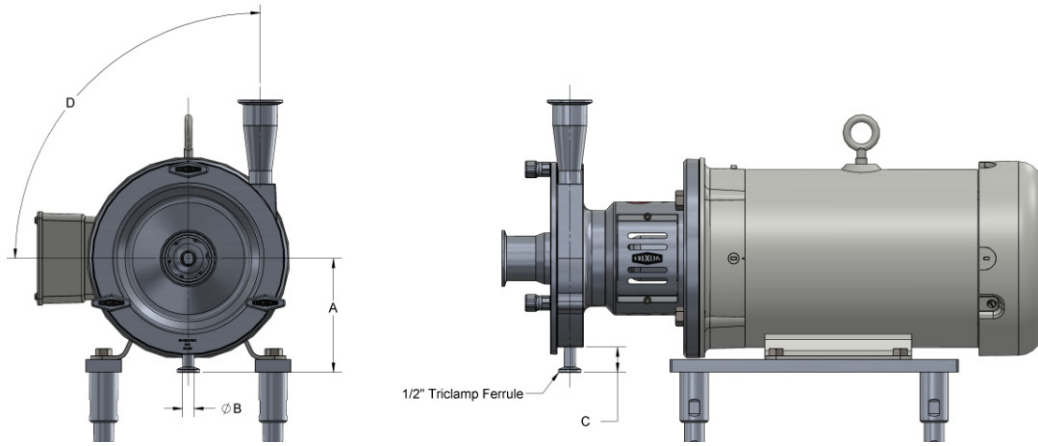
ExD-Series Centrifugal Pump - Dimensions



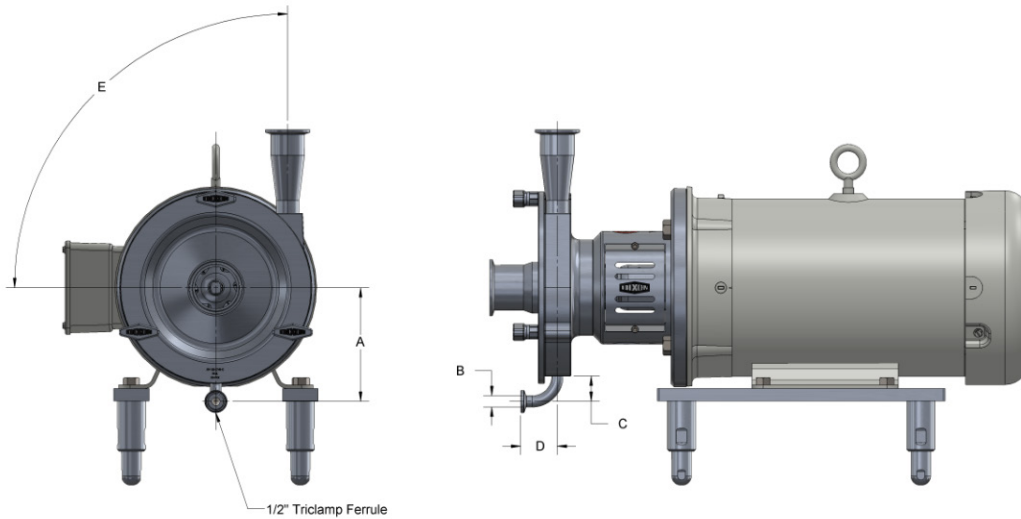
Pump Model	Frame Size	Inlet	Outlet	A (in)	AA (in) (conduit size)	AB (in)	B (in)	C (in)	D (in)	E (in)	F (in)	G (in)
ExD 100	56C	1" (ExD 100)	1"	**	0.50	5.00	6.63	5.44	2.16	4.20	3.50	2.00
ExD 110	143/145TC	1-1/2" (ExD 110)			0.75	5.25						
	182/183TC				0.75	5.88	7.88				4.50	
ExD 120	56C	2" (ExD 120)	1-1/2"		0.50	5.00	6.63	5.75	3.00	6.38	3.50	3.20
ExD 130	143/145TC	2-1/2" (ExD 130)			0.75	5.25						
	182/183TC				0.75	5.88	7.88				4.50	
ExD 200	182/183TC	2-1/2" (ExD 200)	2"		0.75	5.88	7.88	7.63	3.34	7.62	4.50	3.50
ExD 210	213/215TC	3" (ExD 210)			1.00	7.38	9.56					
	254/256TC				1.00	9.63	12.94				6.25	
ExD 220	182/183TC	3" (ExD 220)	2-1/2"		1.00	5.88	7.88	7.75	3.13	8.25	4.50	3.63
ExD 230	213/215TC	4" (ExD 230)			1.00	7.38	9.56					
	254/256TC				1.50	9.63	12.94				6.25	

**Contact Dixon Sanitary for exact measurement. Dimension is dependent on motor selection.

ExD-Series Centrifugal Pump - Dimensions



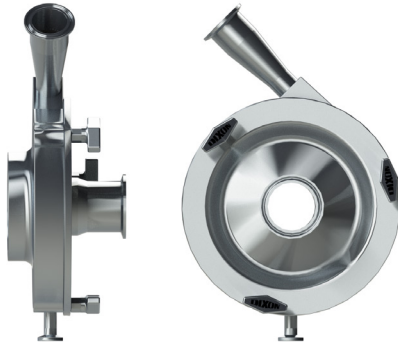
Pump Model	Casing Drain Option	A (in)	ØB (in)	C (in)	D
ExD 100/110	option A	3.71	0.50	1.13	45°
	option J				90°
ExD 120/130	option A	5.06	0.50	1.13	45°
	option J				90°
ExD 200/210	option A	5.70	0.50	1.13	45°
	option J				90°
ExD 220/230	option A	5.98	0.50	1.13	45°
	option J				90°



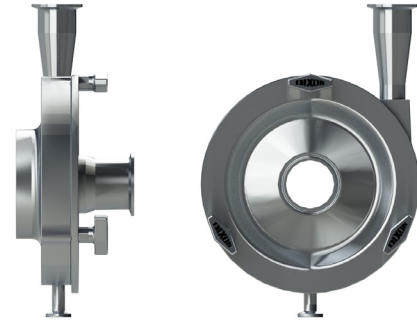
Pump Model	Casing Drain Option	A (in)	ØB (in)	C (in)	D (in)	E
ExD 100/110	option D	3.71	0.50	1.13	1.63	90°
	option K					45°
ExD 120/130	option D	5.06	0.50	1.13	1.63	90°
	option K					45°
ExD 200/210	option D	5.70	0.50	1.13	1.63	90°
	option K					45°
ExD 220/230	option D	5.98	0.50	1.13	1.63	90°
	option K					45°

ExD-Series Centrifugal Pump - Casing Drain Options

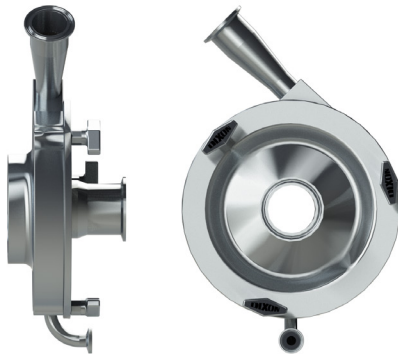
Drain A



Drain J



Drain K



Drain D



ExD-Series Centrifugal Pump - Friction Loss Chart

Capacity in U.S. GPM	O.D. Tube Size																	
	1" I.D. = 0.870"			1-1/2" I.D. = 1.370"			2" I.D. = 1.870"			2-1/2" I.D. = 2.370"			3" I.D. = 2.870"			4" I.D. = 3.834"		
	Tube	Elbow	Tee	Tube	Elbow	Tee	Tube	Elbow	Tee	Tube	Elbow	Tee	Tube	Elbow	Tee	Tube	Elbow	Tee
5	.035	.025	.25															
10	.12	.06	.40	.02	.01	.15	.005	.015	.10									
15	.25	.10	.80	.04	.02	.25	.013	.02	.15									
20	.43	.22	1.5	.06	.03	.30	.02	.025	.20	.005	.02	.10	.003	.02	.06			
25	.66	.40	2.3	.08	.04	.40	.025	.03	.25	.006	.03	.15	.004	.03	.08			
30	.93	.70	3.3	.105	.55	.55	.035	.05	.30	.008	.05	.20	.005	.04	.10			
35	1.22	1.25	5.2	.135	.80	.80	.04	.06	.40	.011	.06	.25	.006	.05	.13			
40				.17	1.0	1.0	.05	.08	.50	.015	.07	.30	.007	.06	.15			
45				.21	1.3	1.3	.063	.10	.60	.02	.09	.35	.008	.065	.18			
50				.25	1.6	1.6	.073	.12	.70	.022	.10	.40	.01	.07	.20			
60				.34	2.2	2.2	.10	.18	.90	.03	.12	.45	.015	.08	.25			
80				.57	3.7	3.7	.16	.30	1.5	.05	.15	.55	.02	.10	.40			
100				.85	5.8	5.8	.23	.44	2.3	.075	.18	.60	.03	.11	.50	.008	.04	.10
120				1.18	9.1	9.1	.32	.64	3.3	.105	.21	1.0	.04	.13	.60	.01	.05	.15
140							.42	.85	4.5	.14	.23	1.25	.05	.16	.80	.013	.06	.20
160							.54	1.13	5.8	.17	.28	1.6	.07	.20	1.1	.015	.07	.25
180							.67	1.45	7.4	.205	.31	2.0	.08	.21	1.3	.02	.08	.30
200							.81	1.82	9.0	.245	.35	2.5	.10	.26	1.6	.025	.09	.40
220							.95	2.22	11.0	.29	.41	3.0	.12	.30	1.9	.028	.10	.50
240							1.10	2.63	13.5	.34	.48	3.7	.14	.33	2.2	.035	.11	.55
260										.39	.53	4.5	.165	.39	2.5	.04	.115	.60
280										.45	.61	5.3	.19	.42	2.8	.045	.12	.65
300										.515	.70	6.2	.22	.50	3.1	.05	.13	.70
350										.68	1.05	8.5	.28	.67	4.1	.07	.15	.90
400										.86	1.55	11.0	.38	.88	5.2	.085	.18	1.2
450										1.05	2.25	13.5	.44	1.1	6.6	.105	.20	1.5
500													.54	1.4	8.0	.13	.23	1.75
550													.64	1.7	9.5	.15	.27	2.1
600													.75	2.05	10.2	.175	.30	2.5
650													.87	2.41	13.0	.20	.34	2.8
700													.10	2.8	15.0	.23	.40	3.4
750																.26	.43	3.8
800																.30	.50	4.4

ExD-Series Centrifugal Pump - Viscosity Chart

N - Newtonian, T - Thixotropic, D - Dilatent

	Fluid	Specific Gravity	Viscosity CPS	Viscosity Type
Reference	Water	1.0	1.0	N
Adhesives	"box" adhesives	1+-	3,000	T
	PVA	1.3	100	T
	rubber and solvents	1.0	15,000	N
Bakery	batter	1.0	2,000	T
	butter (melted)	0.98	18 at 140°F	N
	egg (whole)	0.5	60 at 50°F	N
	emulsifier	-	20	T
	frosting	1.0	10,000	T
	lectithin	-	3,250 at 125°F	T
	77% sweetened condensed milk	1.3	10,000 at 77°F	N
	yeast slurry 15%	1.0	180	T
Beer/Wine	beer	1.0	1.1 at 40°F	N
	brewers concentrated yeast (80% solids)	-	16,000 at 40°F	T
	wort	-	-	-
	wine	1.0	-	-
Confectionery	caramel	1.2	400 at 140°F	-
	chocolate	1.1	17,000 at 120°F	T
	fudge (hot)	1.1	36,000	T
	toffee	1.2	87,000	T
Cosmetics/Soaps	face cream	-	10,000	T
	hair gel	1.4	5,000	T
	shampoo	-	5,000	T
	toothpaste	-	20,000	T
	hand cleanser	-	2,000	T
Dairy	cottage cheese	1.08	225	T
	cream	1.02	20 at 40°F	N
	milk	1.03	1.2 at 60°F	N
	process cheese	-	30,000 at 160°F	T
	yogurt	-	1,100	T
Detergents	detergent concentrate	-	10	N
Dyes and Inks	printers ink	1 to 1.38	10,000	T
	dye	1.1	10	N
	gum	-	5,000	T
Fats and Oils	corn oil	0.92	30	N
	lard	0.96	60 at 100°F	N
	linseed oil	0.93	30 at 100°F	N
	peanut oil	0.92	42 at 100°F	N
	soybean oil	0.95	36 at 100°F	N
	vegetable oil	0.92	3 at 300°F	N
Misc. Foods	black bean paste	-	10,000	T
	cream style corn	-	130 at 190°F	T
	ketchup	1.11	560 at 145°F	T
	pablum	-	4,500	T
	pear pulp	-	4,000 at 160°F	T
	mashed potato	1.0	20,000	T
	potato skins and caustic	-	20,000 at 100°F	T
	prune juice	1.0	60 at 120°F	T
	orange juice concentrate	1.1	5,000 at 38°F	T
	tapioca pudding	0.7	1,000 at 235°F	T
	mayonnaise	1.0	5,000 at 75°F	T
	33% tomato paste	1.14	7,000	T
honey	1.5	1,500 at 100°F	-	

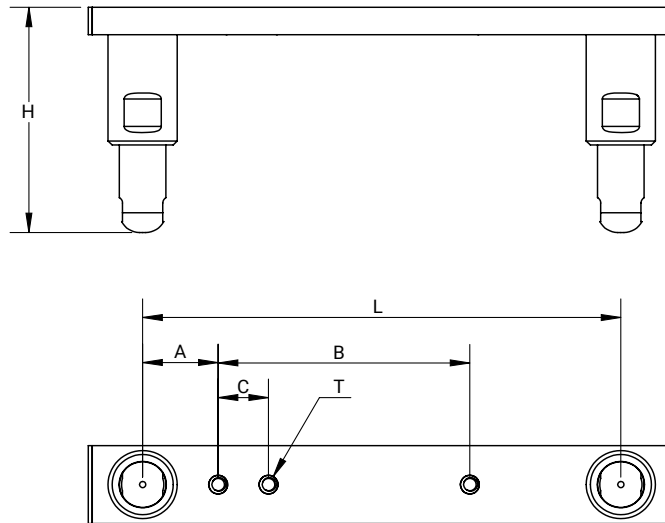
ExD-Series Centrifugal Pump - Viscosity Chart

N - Newtonian, T - Thixotropic, D - Dilatent

	Fluid	Specific Gravity	Viscosity CPS	Viscosity Type
Meat Products	melted animal fat	0.9	43 at 100°F	N
	ground beef fats	0.9	11,000 at 60°F	T
	meat emulsion	1.0	22,000 at 40°F	T
	pet food	1.0	11,000 at 40°F	T
	pork fat slurry	1.0	650 at 40°F	T
Misc. Chemicals	glycols	1.1	35 at range	-
Paint	metallic auto paints	-	220	T
	solvents	0.8 to 0.9	0.5 to 10	N
	titanium dioxide slurry	-	10,000	T
	varnish	1.06	140 at 100°F	-
	turpentine	0.86	2 at 60°F	-
Paper and Textile	black liquor tar	-	2,000 at 300°F	-
	paper coating 35%	-	400	-
	sulfide 6%	-	1,600	-
	black liquor	1.3	1,100 at 122°F	-
	black liquor soap	-	7,000 at 122°F	-
Petroleum and Petroleum Products	asphalt (unblended)	1.3	500 to 2,500	-
	gasoline	0.7	0.8 at 60°F	N
	kerosene	0.8	3 at 68°F	N
	fuel oil #6	0.9	660 at 122°F	N
	auto lube oil SAE 40	0.9	200 at 100°F	N
	auto lube oil SAE 90	0.9	320 at 100°F	N
	propane	0.46	0.2 at 100°F	N
	tars	1.2	wide range	-
Pharmaceuticals	castor oil	0.96	350	N
	cough syrup	1.0	190	N
	"stomach" remedy slurries	-	1,500	T
	pill pastes	-	5,000 +/-	T
Plastic Resins ¹	butadiene	0.94	0.17 at 40°F	-
	polyester resin (typ)	1.4	3,000	T
	PVA resin (typ)	1.3	65,000	-
Starches and Gums	corn starch Sol 22°B	1.18	32	T
	corn starch Sol 25°B	1.21	300	T
Sugars, Syrups, Molasses	corn syrup 41 Be	1.39	15,000 at 60°F	N
	corn syrup 45 Be	1.45	12,000 at 130°F	N
	glucose	1.42	10,000 at 100°F	-
	molasses A	1.42	280 to 5,000 at 100°F	-
	molasses B	1.43 to 1.48	1,400 to 13,000 at 100°F	-
	molasses C	1.46 to 1.49	2,600 to 5,000 at 100°F	-
	sugar syrups	-	-	-
	60 Brix	1.29	75 at 60°F	N
	68 Brix	1.34	360 at 60°F	N
76 Brix	1.39	4,000 at 60°F	N	
Water and Waste Treatment	clarified sewage sludge	1.1	2,000 range	-

¹Wide variety of plastics can be pumped, viscosity varies greatly.

ExD-Series Centrifugal Pump - Leg Kits (optional)



Frame Size	Part #	A (in)	B (in)	C (in)	H (in)		L (in)	T				
					Min	Max						
56C	P207-56LK-N	1.50	3.00	-	4.60	5.00	10.50	5/16"-18 UNC				
	P207-56LK-N-60				6.75	7.50						
140TC	P207-14LK-N		5.00	1.00	1.50	4.60	5.00		11.50			
	P207-14LK-N-60					6.75	7.50					
180TC	P207-18LK-N		5.50			7.00	1.50		4.60	5.00	12.63	3/8"-16 UNC
	P207-18LK-N-60								6.75	7.50		
210TC	P207-21LK-N		10.00			11.00	1.50	4.60	5.00	15.88		
	P207-21LK-N-60							6.75	7.50			
250TC	P207-25LK-N		12.00	11.00	1.50	4.60	5.00	20.00	1/2"-13 UNC			
	P207-25LK-N-60					6.75	7.50					
280TSC	P207-28LK-N		12.00	11.00	1.50	4.60	5.00	21.00				
	P207-28LK-N-60					6.75	7.50					
320TSC	P207-32LK-N	12.00	11.00	1.50	4.60	5.00	2.50					
	P207-32LK-N-60				6.75	7.50						

ExD-Series Centrifugal Pump - Repair Kits

1 - rotary seal (P80)
 1 - seal cup (P80A)
 1 - seal O-ring (P80B)

1 - seal spring (P80C)
 1 - seal seat (P80N)
 1 - outboard gasket (P90)

1 - inboard gasket (P80R)
 1 - impeller O-ring (X8A)
 1 - casing/cover O-ring (X9A)

Model #	Elastomer	Ceramic/Carbon	SC/Carbon	SC/SC	TC/TC
ExD 100 ExD 110	FKM	PRK-EXD100VCC-1	PRK-EXD100VSC-1	PRK-EXD100VSS-1	PRK-EXD100VTC-1
	nitrile rubber	PRK-EXD100BCC-1	PRK-EXD100BSC-1	PRK-EXD100BSS-1	PRK-EXD100BTC-1
	EPDM	PRK-EXD100ECC-1	PRK-EXD100ESC-1	PRK-EXD100ESS-1	PRK-EXD100ETC-1
ExD 120 ExD 130	FKM	PRK-EXD120VCC-1	PRK-EXD120VSC-1	PRK-EXD120VSS-1	PRK-EXD120VTC-1
	nitrile rubber	PRK-EXD120BCC-1	PRK-EXD120BSC-1	PRK-EXD120BSS-1	PRK-EXD120BTC-1
	EPDM	PRK-EXD120ECC-1	PRK-EXD120ESC-1	PRK-EXD120ESS-1	PRK-EXD120ETC-1
ExD 200 ExD 210	FKM	PRK-EXD200VCC-1	PRK-EXD200VSC-1	PRK-EXD200VSS-1	PRK-EXD200VTC-1
	nitrile rubber	PRK-EXD200BCC-1	PRK-EXD200BSC-1	PRK-EXD200BSS-1	PRK-EXD200BTC-1
	EPDM	PRK-EXD200ECC-1	PRK-EXD200ESC-1	PRK-EXD200ESS-1	PRK-EXD200ETC-1
ExD 220 ExD 230	FKM	PRK-EXD220VCC-1	PRK-EXD220VSC-1	PRK-EXD220VSS-1	PRK-EXD220VTC-1
	nitrile rubber	PRK-EXD220BCC-1	PRK-EXD220BSC-1	PRK-EXD220BSS-1	PRK-EXD220BTC-1
	EPDM	PRK-EXD220ECC-1	PRK-EXD220ESC-1	PRK-EXD220ESS-1	PRK-EXD220ETC-1

Limited Warranty

DIXON VALVE & COUPLING COMPANY, LLC (herein called "Dixon") warrants the products described herein and manufactured by Dixon to be free from defects in material and workmanship for a period of one (1) year from date of shipment by Dixon under normal use and service. Its sole obligation under this warranty being limited to repairing or replacing, as hereinafter provided, at its option any product found to Dixon's satisfaction to be defective upon examination by it, provided that such product shall be returned for inspection to Dixon's factory within three (3) months after discovery of the defect. The repair or replacement of defective products will be made without charge for parts or labor. This warranty shall not apply to: (a) parts or products not manufactured by Dixon, the warranty of such items being limited to the actual warranty extended to Dixon by its supplier; (b) any product that has been subject to abuse, negligence, accident, or misapplication; (c) any product altered or repaired by others than Dixon; and (d) normal maintenance services and the replacement of service items (such as washers, gaskets, and lubricants) made in connection with such services. To the extent permitted by law, this limited warranty shall extend only to the buyer and any other person reasonably expected to use or consume the goods who is injured in person by any breach of the warranty. No action may be brought against Dixon for an alleged breach of warranty unless such action is instituted within one (1) year from the date the cause of action accrues. This limited warranty shall be construed and enforced to the fullest extent allowable by applicable law.

Other than the obligation of Dixon set forth herein, Dixon disclaims all warranties, express or implied, including but not limited to any implied warranties of merchantability or fitness for a particular purpose, and any other obligation or liability. The foregoing constitutes Dixon's sole obligation with respect to damages, whether direct, incidental, or consequential, resulting from the use or performance of the product.

Some products and sizes may be discontinued when stock is depleted or may require a minimum quantity for ordering.

Limits of Liability

This brochure is intended as a product offering. It is not intended to be a user or technical manual. Information in this brochure is subject to change without notice. All users and distributors of products sold through this brochure should contact Dixon with questions of use, compatibilities, coupling procedures, and life of product. Our full-time engineering and test staff are always available to recommend uses and to assist distributors and users with any questions.



Safety



Safety logos, which appear throughout our catalog, are used as a reminder that the user should carefully review for the appropriateness of the product for the media, application, and environment in which it will be used.

NOTE: Because of the health hazards associated with contamination and lead content in drinking water systems, Dixon couplings, unless otherwise specifically approved, are not recommended for potable water service and should not be used in applications where drinking water will contact the wetted surfaces of the coupling.

All Dixon products are shipped in cartons with the following warning:

"WARNING: This product contains lead, a chemical known to the State of California to cause cancer and birth defects or other reproductive harm."

Trademark

Delrin® and Zytel® are registered trademarks of E. I. du Pont Nemours and Company.

Kalrez® is a registered trademark of DuPont Dow Elastomers.

All other trademarks appearing in the Dixon illustrated product list are the property of their respective owners.

Copyright

Copyright © 2025 by Dixon Valve & Coupling Company, LLC

All rights reserved. This book is copyrighted material. Use, reproduction or copying of it by anyone other than Dixon® is strictly forbidden without its express written consent.

NOTE: Reasonable care has been taken in preparing this catalog. Dixon Valve & Coupling Company, LLC reserves the right to make corrections.

