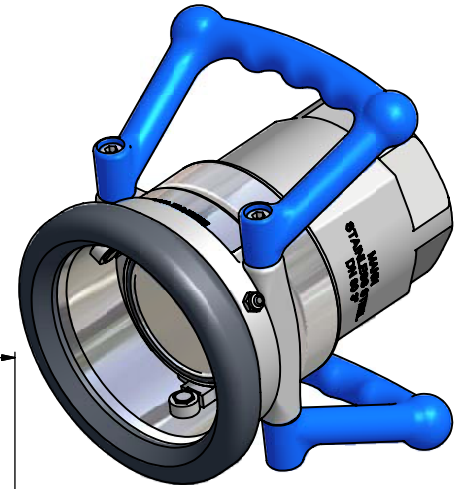
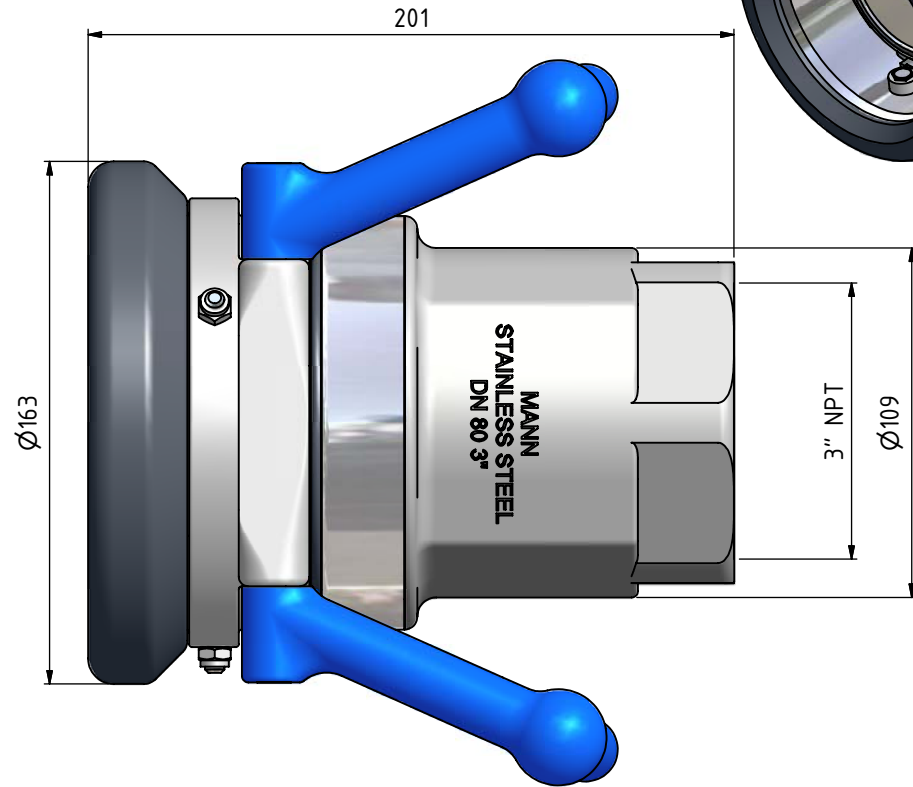
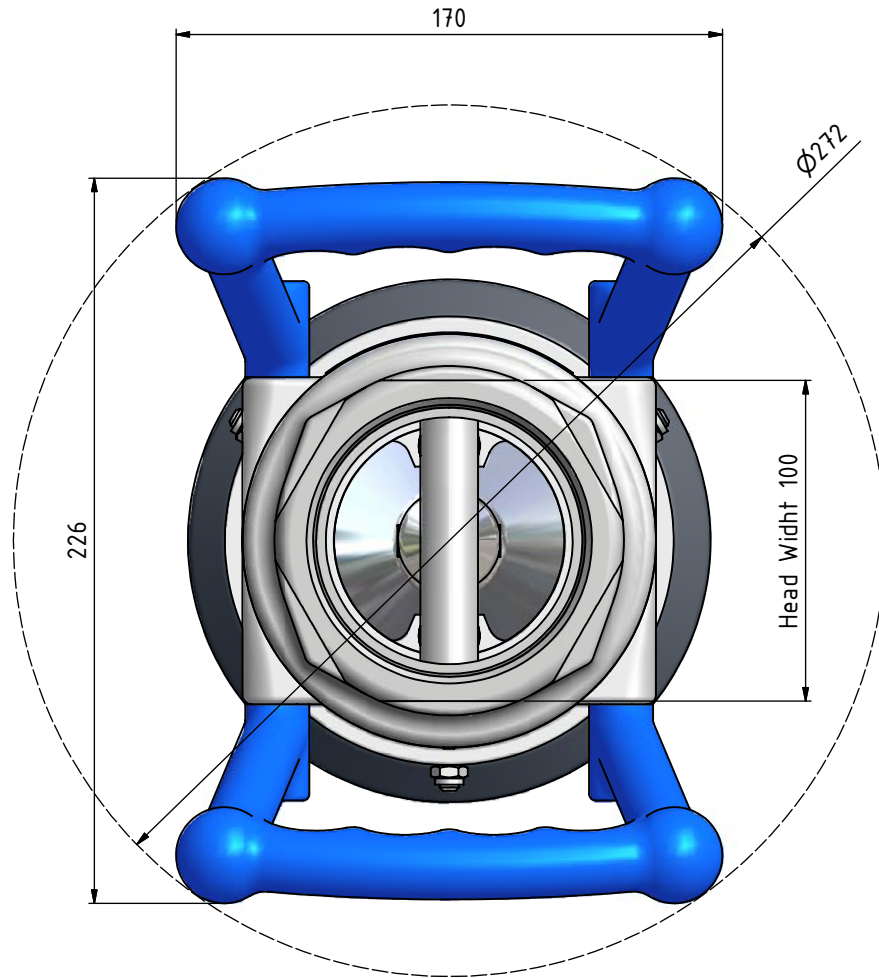


Notice: This drawing contains proprietary information and shall not be used or reproduced or its contents disclosed in whole or in part, without the prior written consent of the Mann Teknik AB



Dimensions are in metric.

Detail No:		Material		Ytbeh./Treatment	
		Designed/drawn by	Scale:	Dimension with no tolerances acc to Machined SS-ISO 2768-1 medium Weld Forge SS-ISO 2768-1 coarse Surface roughness ISO 1302 Form & position tol SS ISO 1101	
		Checked	1:3		
		Approved	Date		
		A. Olofsson	2006-03-02		
		M. Bäckström			
		T. Mann			
3" Hose Unit - DN80 Connection: 3" NPT				Data nr./Comp No.	Blad/Sheet
				S415B4401	1 / 1
				Drawing No.	Rev.
				S415B4401-1	

NO.	Revision comprises	Date	Sign.	Appr by
-----	--------------------	------	-------	---------