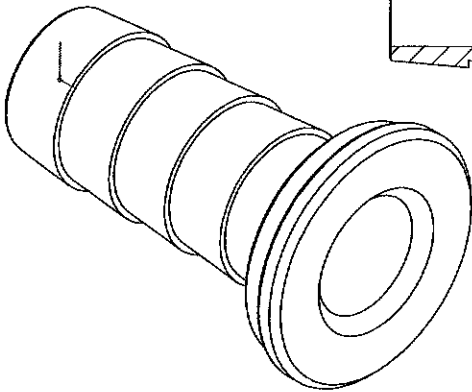
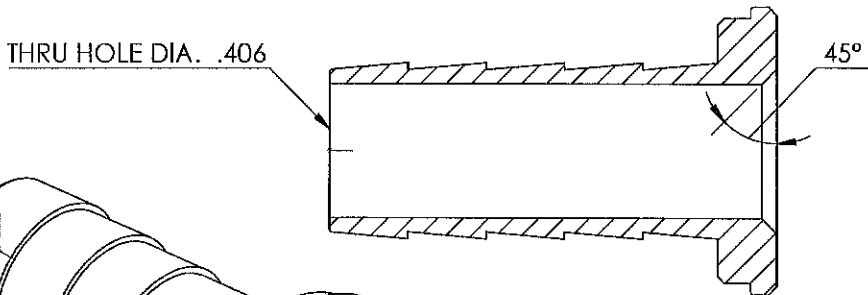
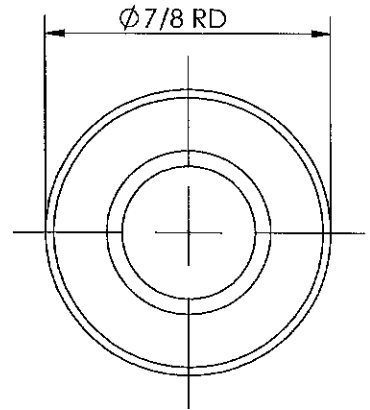
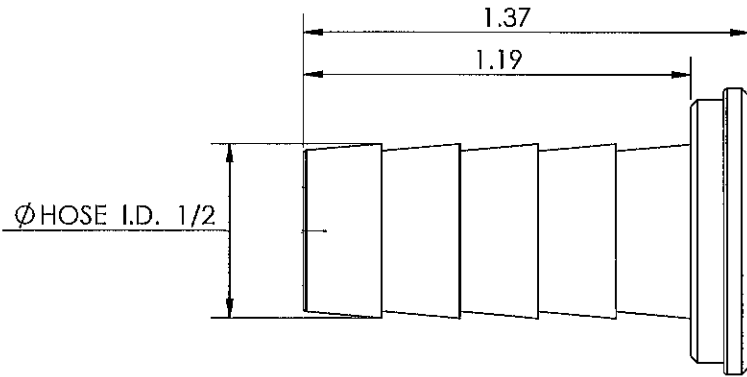

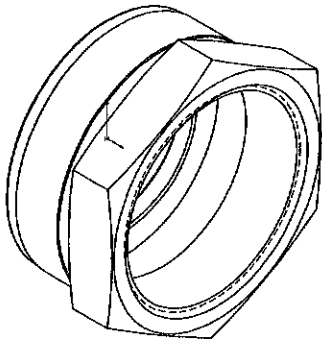
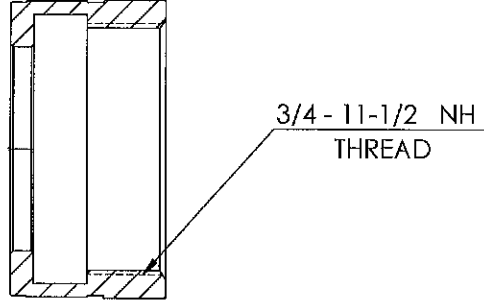
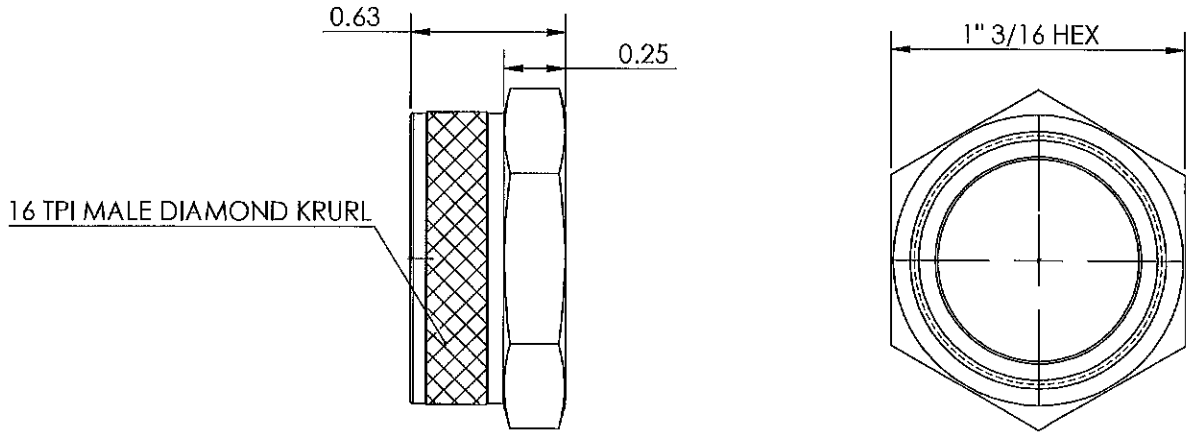



LINE DRAWING NOT FOR PRODUCTION PURPOSES



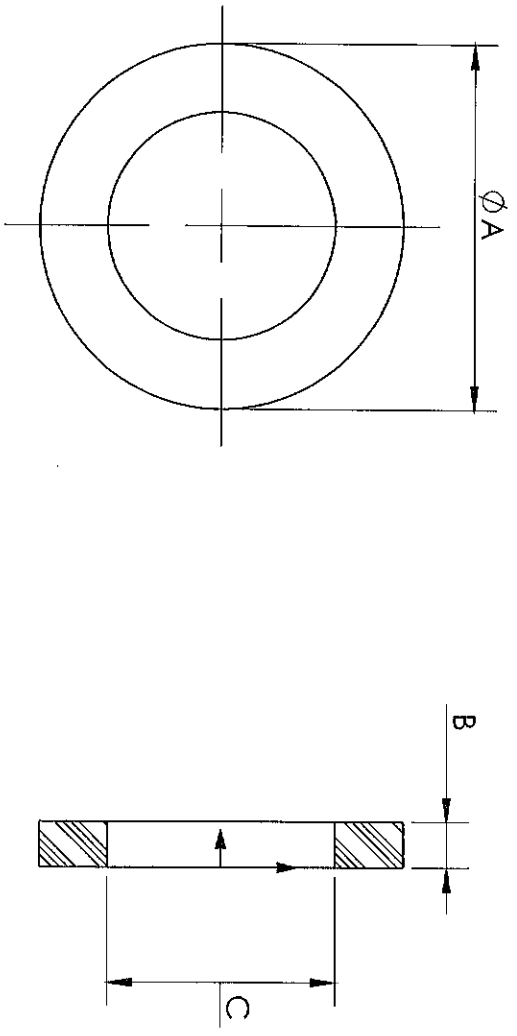
THIS DRAWING CONTAINS INFORMATION DEEMED PROPRIETARY TO DIXON BRASS AND IS TO BE USED ONLY FOR THE PURPOSE FOR WHICH IT IS SUBMITTED, AND FURTHER, SHALL NOT BE COPIED IN WHOLE OR IN PART WITHOUT EXPRESS WRITTEN PERMISSION FIRST OBTAINED FROM DIXON BRASS.				
UNLESS OTHERWISE SPECIFIED:		 Dixon Brass Westmont, Illinois USA	DRAWN P. MONAGHAN	DATE 12/21/15
DIMENSIONS ARE IN INCHES			APPROVED	DATE
TOLERANCES: ANGLES: ±D°30' .X (±.015) .XX (±.010) .XXX (±.005)		ECO NO.		
DIMENSIONS PER ANSI Y14.5		DRAWING NOT REPRODUCED TO SCALE		
TITLE: 1/2 BARB GARDEN HOSE STEM		SIZE A	DWG. NO. 5910812S	REV F

LINE DRAWING NOT FOR PRODUCTION PURPOSES



THIS DRAWING CONTAINS INFORMATION DEEMED PROPRIETARY TO DIXON BRASS AND IS SO TO BE USED ONLY FOR THE PURPOSE FOR WHICH IT IS SUBMITTED, AND FURTHER, SHALL NOT BE COPIED IN WHOLE OR IN PART WITHOUT EXPRESS WRITTEN PERMISSION FIRST OBTAINED FROM DIXON BRASS.			
UNLESS OTHERWISE SPECIFIED:			
DIMENSIONS ARE IN INCHES	 Dixon The Right Connection™	DRAWN P. MONAGHAN APPROVED DATE DATE	
TOLERANCES: ANGLES: ±0°30' .X (±.015) .XX (±.010) .XXX (±.005)		WESTMONT, ILLINOIS USA ECO NO.	
TITLE: GARDEN HOSE NUT		DRAWING NOT REPRODUCED TO SCALE	
SIZE: A	DWG. NO.: 5911212N	REV: J	

REV	COMMENTS	DATE
B	REDRAWN	5/31/19



MATERIAL	PART NUMBER	A	B	C
BLACK SBR 80 DURO	5911212W	1.000 \pm .010	.125 \pm .005	.625 \pm .010
	5911616W	1.270 \pm .020	.125 \pm .005	.860 \pm .010

MATERIAL	PART NUMBER	A	B	C
BLACK PEROXIDE CURE EPDM NSF61,70 DURO WITH WHITE STRIPE	5911212WEPDM	1.000 \pm .010	.125 \pm .005	.625 \pm .010
	5911616WEPDM	1.270 \pm .020	.125 \pm .005	.860 \pm .010

THIS DRAWING CONTAINS INFORMATION DEEMED PROPRIETARY TO DIXON BRASS AND IS SO TO BE USED ONLY FOR THE PURPOSE FOR WHICH IT IS SUBMITTED, AND FURTHER, SHALL NOT BE COPIED IN WHOLE OR IN PART WITHOUT EXPRESS WRITTEN PERMISSION FIRST OBTAINED FROM DIXON BRASS. UNLESS OTHERWISE SPECIFIED: DIMENSIONS ARE IN INCHES TOLERANCES: ANGLES: 30' .XX (.010) .XXX (.005) DIMENSIONS PER ANSI Y14.5

DIXON
The Right Connection™
Dixon Brass
Westmont, Illinois USA

DRAWN
P. MONAGHAN
APPROVED
DATE: 5/31/19
ECO NO.

TITLE: GARDEN HOSE WASHER

SIZE A
DWG. NO. 591 SERIES
REV B

DRAWING NOT REPRODUCED TO SCALE