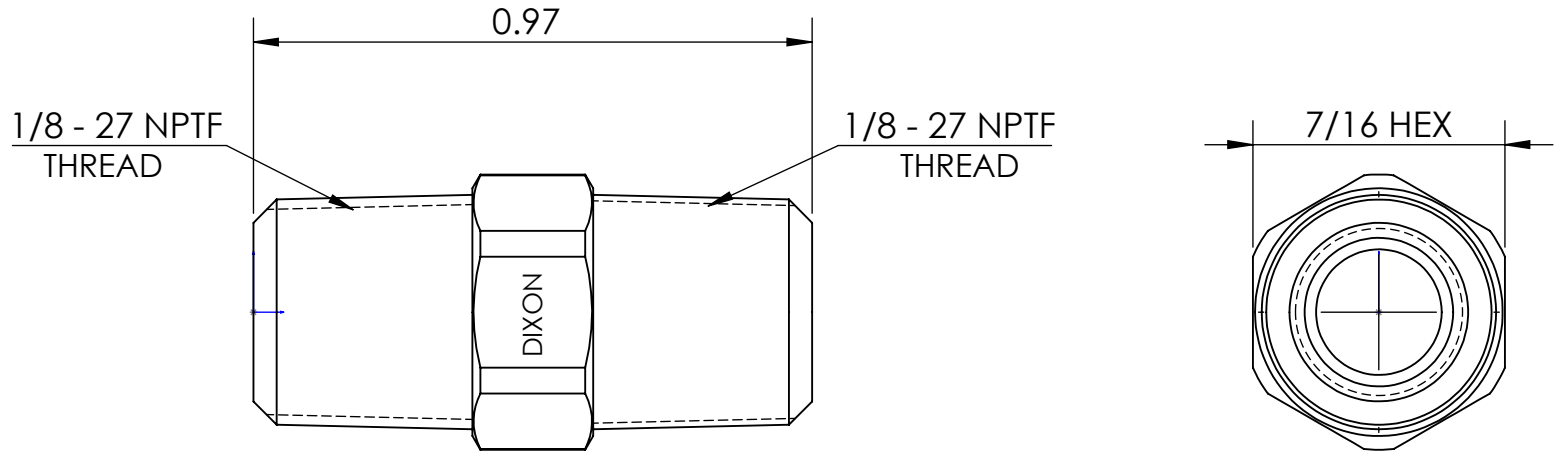
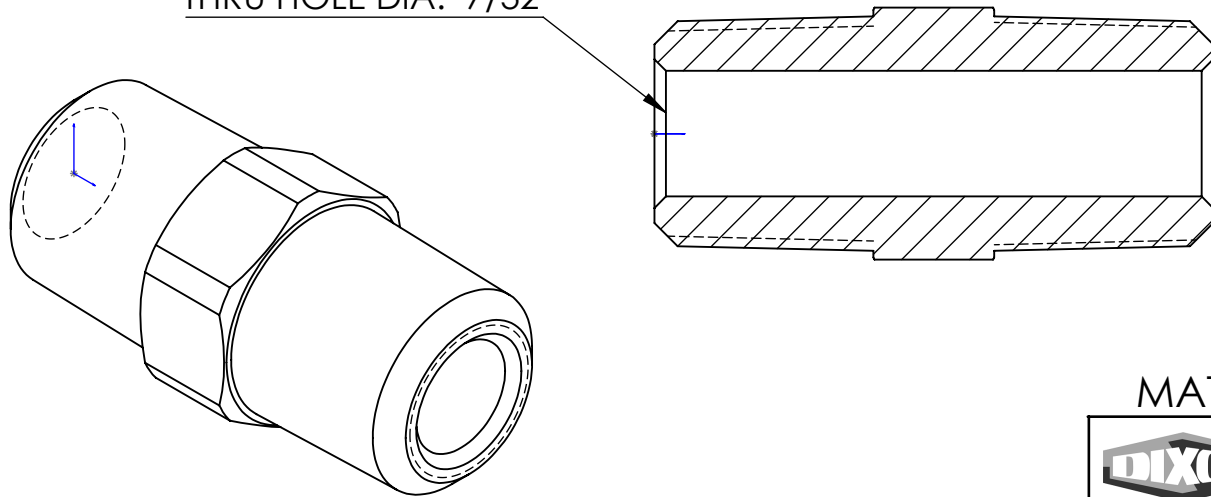



LINE DRAWING NOT FOR PRODUCTION PURPOSES



THRU HOLE DIA. 7/32



MATERIAL ALLOY 2754 LEAD FREE BRASS

 The Right Connection™	Dixon Brass Westmont, Illinois USA	DRAWN P. MONAGHAN	DATE 12/9/19
		APPROVED	DATE
TITLE: 1/8 X 1/8 MALE HEX NIPPLE		DO NOT SCALE THIS DRAWING	
SIZE A	DWG. NO. 3700202CLF	REV A	

This drawing is owned by Dixon Valve & Coupling Co. and shall be returned upon demand. It is loaned on condition that it shall not be copied or reproduced or submitted to others without the owners consent. In accepting it, subject to this condition, the recipient further agrees that this drawing or any design detail or concept disclosed herein shall not be used in any way detrimental to or in competition with the owner. If the recipient does not agree to the terms of this agreement they shall return this drawing immediately. The information contained in this drawing is subject to change without notice.