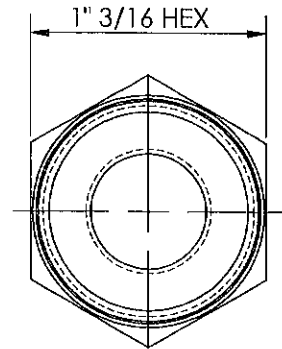
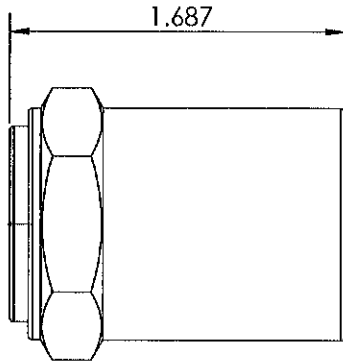
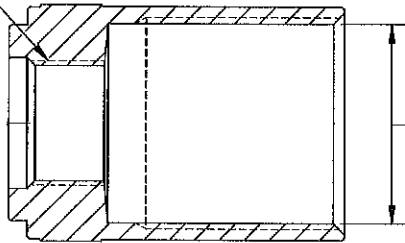


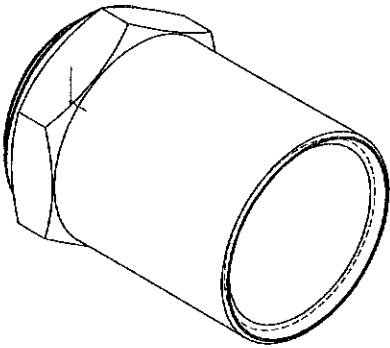
LINE DRAWING NOT FOR PRODUCTION PURPOSES




5/8 -18 UNF-2B
HOSE I.D. 1/2

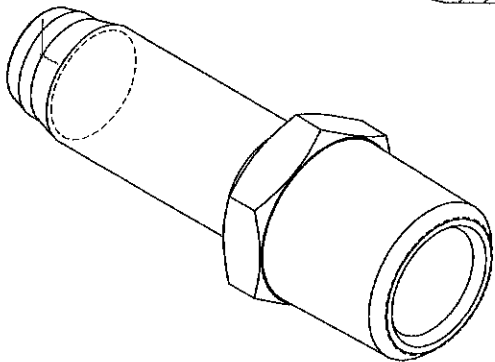
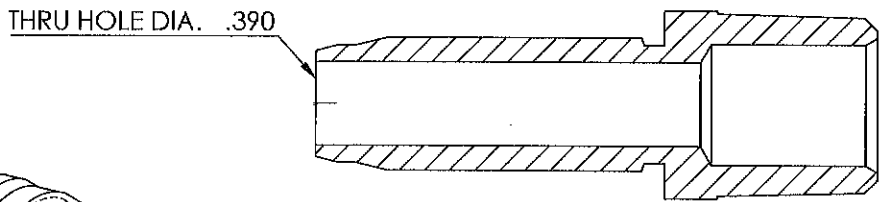
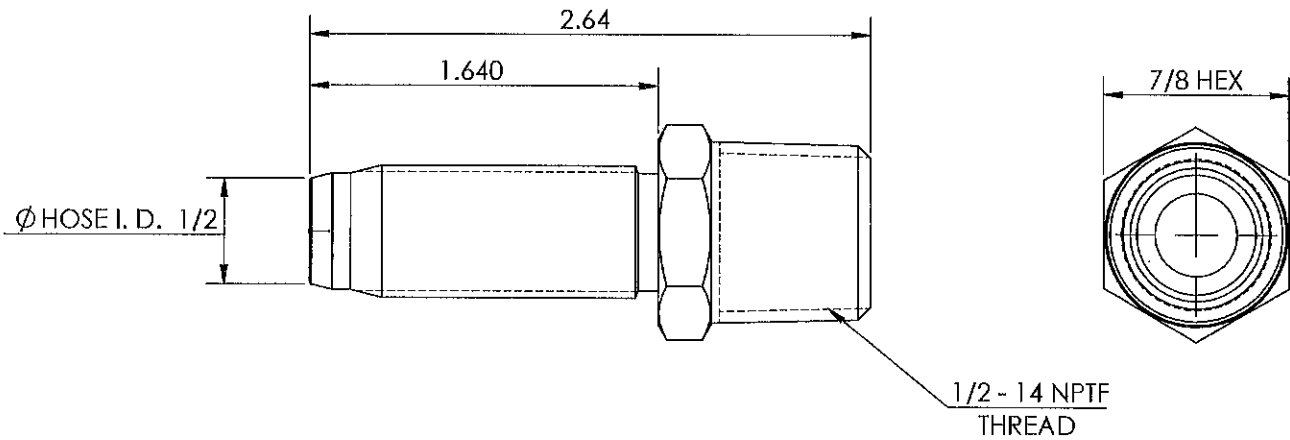



Ø HOSE O.D. 1"



THIS DRAWING CONTAINS INFORMATION DEEMED PROPRIETARY TO DIXON BRASS AND IS TO BE USED ONLY FOR THE PURPOSE FOR WHICH IT IS SUBMITTED, AND FURTHER, SHALL NOT BE COPIED IN WHOLE OR IN PART WITHOUT EXPRESS WRITTEN PERMISSION FIRST OBTAINED FROM DIXON BRASS.			
UNLESS OTHERWISE SPECIFIED:			
DIMENSIONS ARE IN INCHES			Dixon Brass Westmont, Illinois USA
TOLERANCES: ANGLES: 10°±30" .X (±.015) .XX (±.010) .XXX (±.005)			
TITLE: REUSABLE FERRULE		DRAWING NOT REPRODUCED TO SCALE	
SIZE: A	DWG. NO. 1800816F	ECO NO.	REV: C

LINE DRAWING NOT FOR PRODUCTION PURPOSES



THIS DRAWING CONTAINS INFORMATION DEEMED PROPRIETARY TO DIXON BRASS AND IS TO BE USED ONLY FOR THE PURPOSE FOR WHICH IT IS SUBMITTED, AND FURTHER, SHALL NOT BE COPIED IN WHOLE OR IN PART WITHOUT EXPRESS WRITTEN PERMISSION FIRST OBTAINED FROM DIXON BRASS.			
UNLESS OTHERWISE SPECIFIED:			
DIMENSIONS ARE IN INCHES			
TOLERANCES:			
ANGLES: $\pm 0^{\circ}30'$			
.X (+.015)			
.XX (+.010)			
.XXX (+.005)			
DIMENSIONS PER ANSI Y14.5			
 The Right Connector™	Dixon Brass Westmont, Illinois USA		DRAWN P. MONAGHAN APPROVED DATE 4/28/15
	TITLE: REUSABLE MALE STEM		ECO NO. DRAWING NOT REPRODUCED TO SCALE
SIZE A	DWG. NO. 1820808S	REV B	