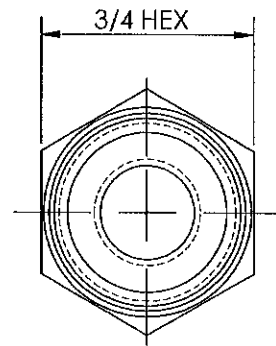
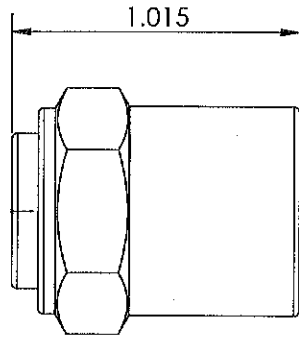
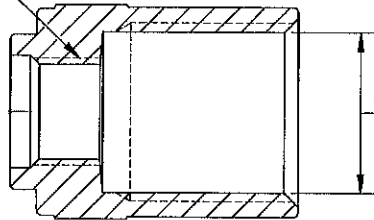


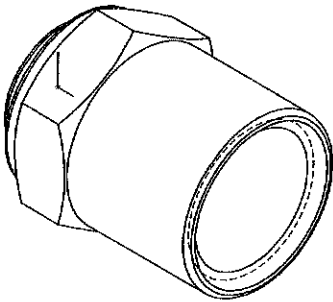
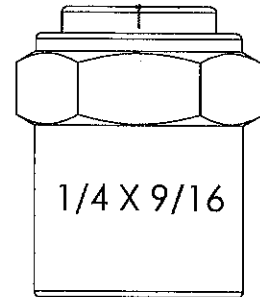
LINE DRAWING NOT FOR PRODUCTION PURPOSES




3/8 - 24 UNF-2B  
HOSE I.D. 1/4

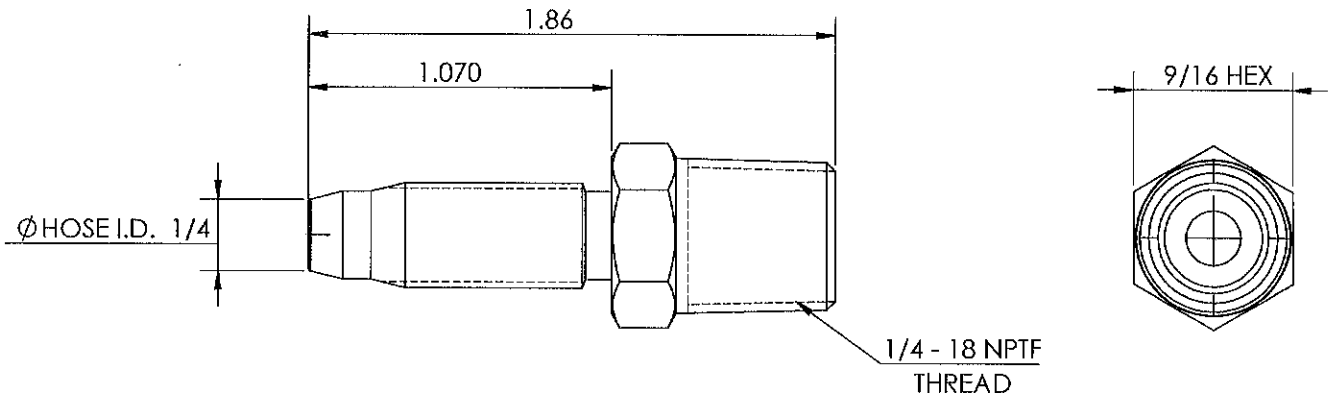


Ø HOSE O.D. 9/16

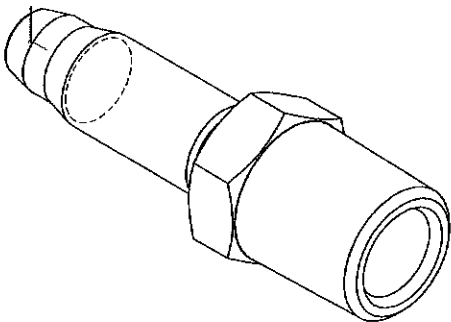
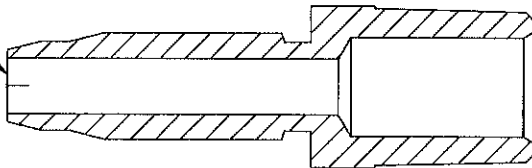



THIS DRAWING CONTAINS INFORMATION DEEMED PROPRIETARY TO DIXON BRASS AND IS SO TO BE USED ONLY FOR THE PURPOSE FOR WHICH IT IS SUBMITTED, AND FURTHER, SHALL NOT BE COPIED IN WHOLE OR IN PART WITHOUT EXPRESS WRITTEN PERMISSION FIRST OBTAINED FROM DIXON BRASS.			
UNLESS OTHERWISE SPECIFIED:			
DIMENSIONS ARE IN INCHES		 The Right Connector™	<b>Dixon Brass</b> Westmont, Illinois USA
TOLERANCES: ANGLES: ± 0°30' .X (±.015) .XX (±.010) .XXX (±.005)			
TITLE: REUSABLE FERRULE		DRAWING NOT REPRODUCED TO SCALE	
SIZE <b>A</b>	DWG. NO. 1800409F	REV B	

LINE DRAWING NOT FOR PRODUCTION PURPOSES



THRU HOLE DIA. .194



THIS DRAWING CONTAINS INFORMATION DEEMED PROPRIETARY TO DIXON BRASS AND IS TO BE USED ONLY FOR THE PURPOSE FOR WHICH IT IS SUBMITTED, AND FURTHER, SHALL NOT BE COPIED IN WHOLE OR IN PART WITHOUT EXPRESS WRITTEN PERMISSION FIRST OBTAINED FROM DIXON BRASS.				
UNLESS OTHERWISE SPECIFIED:				
DIMENSIONS ARE IN INCHES		 <b>Dixon Brass</b> Westmont, Illinois USA	DRAWN P. MONAGHAN APPROVED	DATE 4/27/15 DATE
TOLERANCES: ANGLES: $\pm 0^{\circ}30'$ .X ( $\pm .010$ ) .XX ( $\pm .010$ ) .XXX ( $\pm .005$ )			ECO NO.	
DIMENSIONS PER ANSI Y14.5		DRAWING NOT REPRODUCED TO SCALE		
TITLE: REUSABLE MALE STEM		SIZE: <b>A</b>	DWG. NO. 1820404S	REV: E