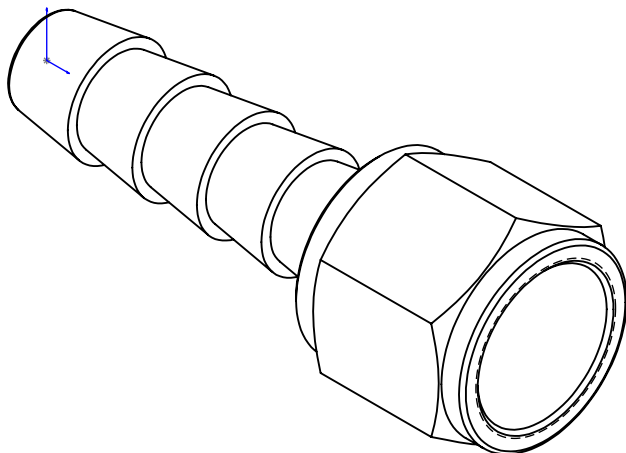
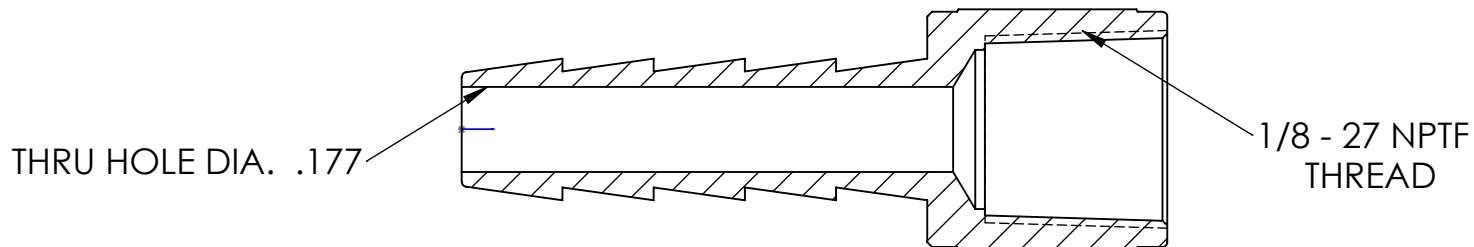
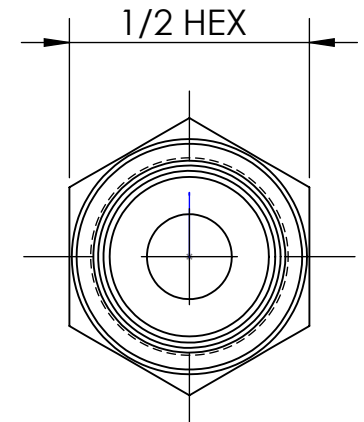
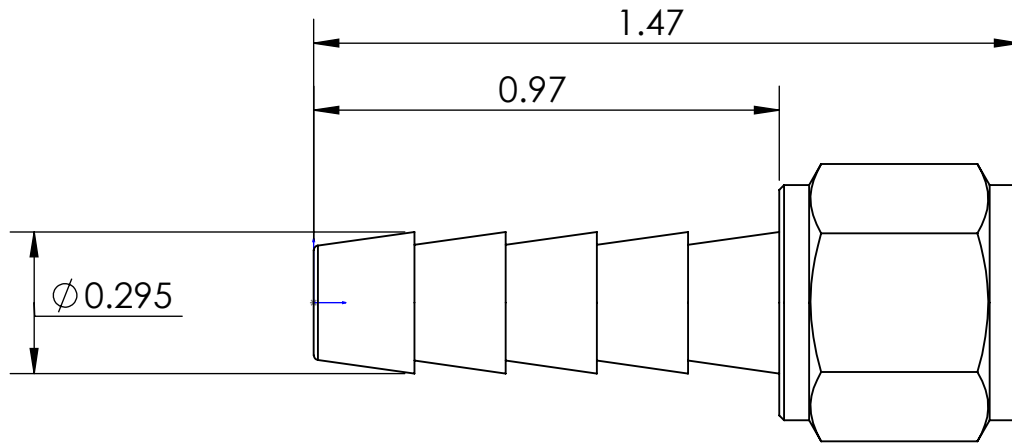



LINE DRAWING NOT FOR PRODUCTION PURPOSES



THIS DRAWING CONTAINS INFORMATION DEEMED PROPRIETARY TO DIXON BRASS AND IS SO TO BE USED ONLY FOR THE PURPOSE FOR WHICH IT IS SUBMITTED, AND FURTHER, SHALL NOT BE COPIED IN WHOLE OR IN PART WITHOUT EXPRESS WRITTEN PERMISSION FIRST OBTAINED FROM DIXON BRASS.			
UNLESS OTHERWISE SPECIFIED:		 <b>Dixon Brass</b> Westmont, Illinois USA	DRAWN P. MONAGHAN DATE 1/14/14
DIMENSIONS ARE IN INCHES  TOLERANCES: ANGLES: $\pm 0^{\circ}30'$ .X ( $\pm .015$ ) .XX ( $\pm .010$ ) .XXX ( $\pm .005$ )  DIMENSIONS PER ANSI Y14.5			APPROVED DATE
		ECO NO.	
TITLE: 1/4 FEMALE HOSE BARB x 1/8 - 27 NPTF		DRAWING NOT REPRODUCED TO SCALE	
SIZE <b>A</b>		DWG. NO. 1040402C	REV E