

Straub Grip-L Axial Restraint Pipe Couplings

Applications

- Suitable for pipes within the lower pressure range. Applications include, but are not limited to: ship building, water and waste water treatment plants, and industrial process pipe work
- Joins like or dissimilar pipe materials: steel, galvanized, painted, stainless steel, thin-wall stainless steel, PVC, copper

Features

- Requires no special tools or pipe-end preparation; only a torque wrench is required for a secure and safe pipe connection that seldom needs retightening
- Accommodates up to 5° of pipe misalignment
- Vary gap between pipe ends
- Absorbs vibration, water hammer, and sound
- Special patented grip ring for superior holding power on hard-surfaced pipes
- 5-year limited warranty
- Reusable
- NBR and FKM sleeves available; contact Dixon® for information

Materials

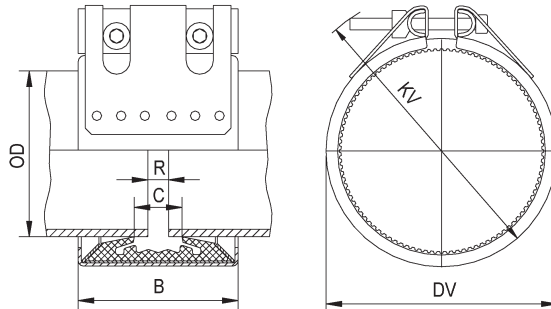
- Casing: AISI 316Ti; screws: AISI 316 L; bolts: AISI 316 Ti; anchoring ring: AISI 301; sealing sleeve: EPDM standard

Specifications

- EPDM sealing sleeve temperature range: -4°F to 212°F (-20°C to 100°C)
- Maximum temperature limit is 212°F (100°C) with EPDM gasket Material. Higher temperature limits may be allowed subject to specific factory approval. For specific chemical recommendations, please contact Dixon®

Approvals

- National Sanitation Foundation (NSF)
- Built to ASTM 1476, Type 2, Class 2 specifications



Size	Pipe O.D. Range		Working Pressure PSI	Coupling Dimensions		Assembled Dimensions DV	Maximum Distance Between Pipe End R	316 Ti Stainless Steel Part #
	Actual	Min to Max		B	C			
3/4"	1.05"	1.04" to 1.08"	841	1.8"	0.7"	1.7"	0.2"	STR20000
1"	1.30"	1.31" to 1.35"	565	1.8"	0.7"	2.0"	0.2"	STR20100
1-1/2"	1.90"	1.88" to 1.92"	406	1.8"	0.7"	2.5"	0.2"	STR20300
2"	2.37"	2.35" to 2.40"	333	2.5"	0.9"	3.03"	0.2"	STR20450
2-1/2"	2.88"	2.85" to 2.90"	304	2.5"	0.9"	3.5"	0.2"	STR20500
3"	3.50"	3.46" to 3.54"	377	3.9"	1.5"	4.4"	0.2"	STR20650
4"	4.50"	4.46" to 4.54"	319	3.9"	1.5"	5.5"	0.4"	STR20900
5"	5.50"	5.51" to 5.62"	219	4.5"	1.5"	5.5"	0.4"	STR21150
6"	6.63"	6.56" to 6.69"	232	4.5"	2.1"	7.6"	0.4"	STR21350
8"	8.63"	8.54" to 8.71"	232	5.6"	3.1"	9.8"	0.4"	STR21400

NOTE: All Straub couplings require the correct use of a torque wrench for a safe and proper installation. Straub couplings must be torqued to the specified value as printed on each individual coupling. Failure to do so can result in serious injury or death. Not for steam or refrigerant service. 