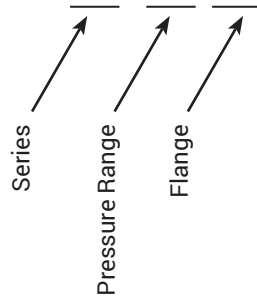


Homogenizer Pressure Gauges



Model Number Breakdown 5H - V - 03



Size

- Dial size: 5"

Features

- Lexan® lens virtually impervious to cracks and breakage
- Unique pulsation dampening system insulates the gauge movement from the punishing pulsations of a homogenizer
- Glycerine fill standard
- Waterproof construction
- CIP certified
- True zero with re-zero standard

Materials

- Product contact: 316L stainless steel
- Case: 304 stainless steel
- Lens: Lexan®

Specifications

- Ranges up to 15,000 PSI
- Maximum temperature: 250°F (121°C)

Ordering Information

Series

5H 5" Sani-Flow homogenizer pressure gauge

Pressure Range¹

- K 0 to 1,000 PSI (70 BAR)
- T 0 to 2,500 PSI (170 BAR)
- U 0 to 3,000 PSI (205 BAR)
- V 0 to 5,000 PSI (350 BAR)
- Y 0 to 7,500 PSI (520 BAR)
- W 0 to 10,000 PSI (700 BAR)
- X 0 to 15,000 PSI (1000 BAR)

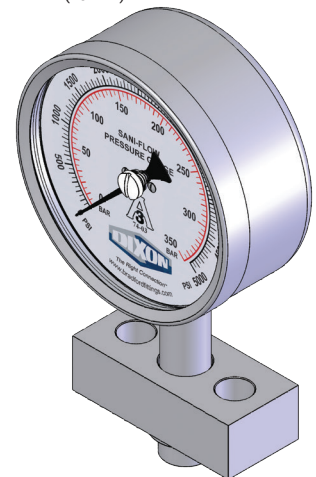
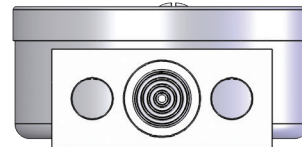
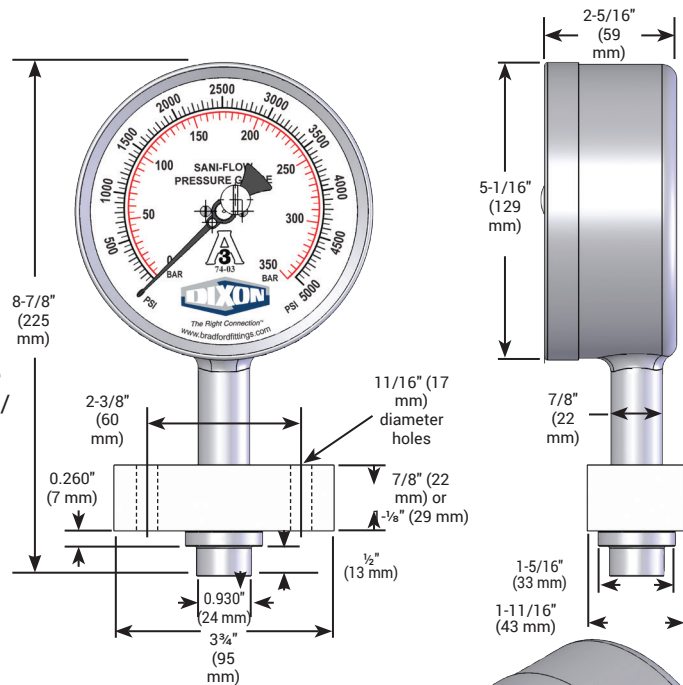
¹ Standard scales are in PSI only. For dual scales, after the pressure range add the letter B for PSI/BAR, K for PSI/Kg/cm3, P for PSI/KPa (see examples below).

Examples

- 5H-V-03** - Describes a 5" Sani-Flow homogenizer pressure gauge, 0 to 5,000 PSI, a 1-1/8" thick flange, and a glycerine-filled case
- 5H-WB-01** - Describes a 5" Sani-Flow homogenizer pressure gauge, dual scale 0 to 10,000 PSI/0 to 700 BAR, no flange, and a glycerine-filled case

Flange

- 01 no flange
- 02 7/8" thick 2-bolt flange
- 03 1-1/8" thick 2-bolt flange
- 04 1/2" thick 4-bolt flange
- 05 3/4" thick 4-bolt flange
- 09 1.66" thick laboratory homogenizer flange



Product not returnable and no cancellations.